

Selection Guide

In a room, area: $S=65(m^2)$, height: $h=3(m)$, member: $n=25$ (people), calculated by the fresh air volume everyone needs, [the air volume everyone need: $q=30(m^3/h)$], so the total fresh air volume $Q1=n \times q= 25 \times 30= 750(m^3/h)$. If calculated by the fresh air changes rate, [the fresh air change rate $P=4$], so the fresh air $Q2=p \times s \times h= 4 \times 65 \times 3=780(m^3/h)$;
Due to $Q2 > Q1$, so here we take $Q2$ for the reference;
Combine with the products type, here we suggest MIA-AHE80N Energy Recovery Ventilation.

The formula of calculating the room volume:
Volume= Length x Width x Height(below the air outlet)
Numbers of heat recovery exchanger= Room volume x Required air changes rate ÷ Rated fresh air volume per exchanger

Select the different installation forms of air ventilation according to the characteristic of the building structure.
Confirm the appropriate air volume according to the house' s use, area, and containing people.
Select the ventilation' s specification and amounts according to the confirmed fresh air volume.

Duct design requirements:
First of all, it' s necessary to consider the host hoisting position, and then choose the hard pipeline as the preferred choice.
The arrangement of pipe line should keep a small resistance to the pipeline system, in order to reduce the wind pressure lost.
Meet customers' requirement about the height of overall interior suspended ceiling design.
The selection of the discharge positions and air supply outlet.

About the selection of ventilators' hoisting position, can according to the following aspects:
Whether the ceiling is strong enough;
Whether the lifting space is large enough;
Whether the pipeline installation is convenient;
The tuyere is installed along with the beam to keep minimized wind resistance.
The distance between the air supply outlet and discharge positions must be kept at more than 1.2 meters.
Air detection switch should be installed in the position that can reflect the whole room' s air quality.

Selection Guide

Needed fresh air volume of different types of building in air-conditioning environment.(Volume: m³/h/person)

Residential		Office		Entertainment		Hotel Building	
Type	Volume	Type	Volume	Type	Volume	Type	Volume
General Villa	30	General Office	30	Gym	60~80	Hotel	30~50
Luxury Villa	50	Luxury Office	30~50	Tennis Room	40	Reception Room	30~50
Shopping Mall	12~25	Meeting Room	30~50	Chess Room	40~50	Restaurant	15~25
Ward	80	General Switchboard	30	Swimming Pool	50	Cafe	20~50
Classroom	11~30	Computer Room	30	Game Room	40~50	Multi-Function Hall	15~25
Exhibition Room	20~30	Photocopier Room	30	Video Hall	20	Business Center	10~20
Theaters	15~25	Laboratory	30	Massage Room	30	Lobby	10
Night Club	20	Dance Hall	30	Internet Bar	30	Beauty Salon	35

Type	No Smoking		Small Smoking			Large Smoking		
	Shopping Mall	Computer Room	Gym	Ward	Office	Restaurant	KTV/Bar/Hotel	Meeting room
Required per person	8.5~21	40~100	8~20	50~80	25~62	60~80	30~75	50~125
Room Ventilation	1.56	1.06~6.66	2.50~6.25	1.50~3.00	1.06~2.65	1.25~3.13	3.60~8.5	




Console Type Energy Recovery Ventilation System (AC outer rotor fan / DC brushless fan)

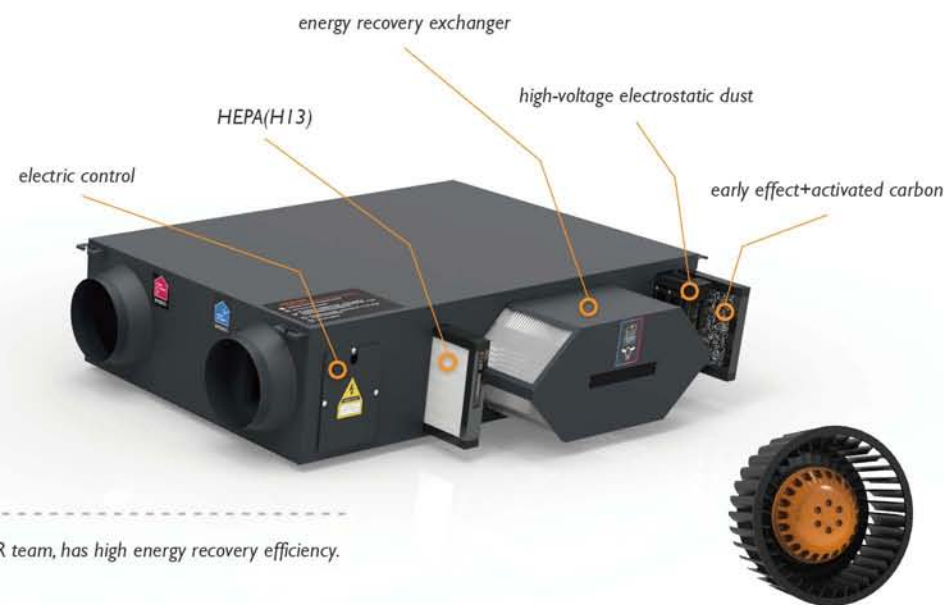
MIA AHE·B | MIA AHE·B/C

Ground Air-supplying Series

high speed external rotor motor



name	model	filter
energy recovery ventilation	MIA-AHE·NB MIA-AHE·NB/C	
multiple filtered ERV	MIA-AHE·GLB MIA-AHE·GLB/C	
high-voltage electrostatic dust ERV	MIA-AHE·JDB MIA-AHE·JDB/C	



High Speed External Rotor Motor : Japan NMB bearings, life more than 80000 hours.

Washable Energy Recovery Exchanger: The PSY high thermal conductivity of molecular material, developed by Japanese DR team, has high energy recovery efficiency.

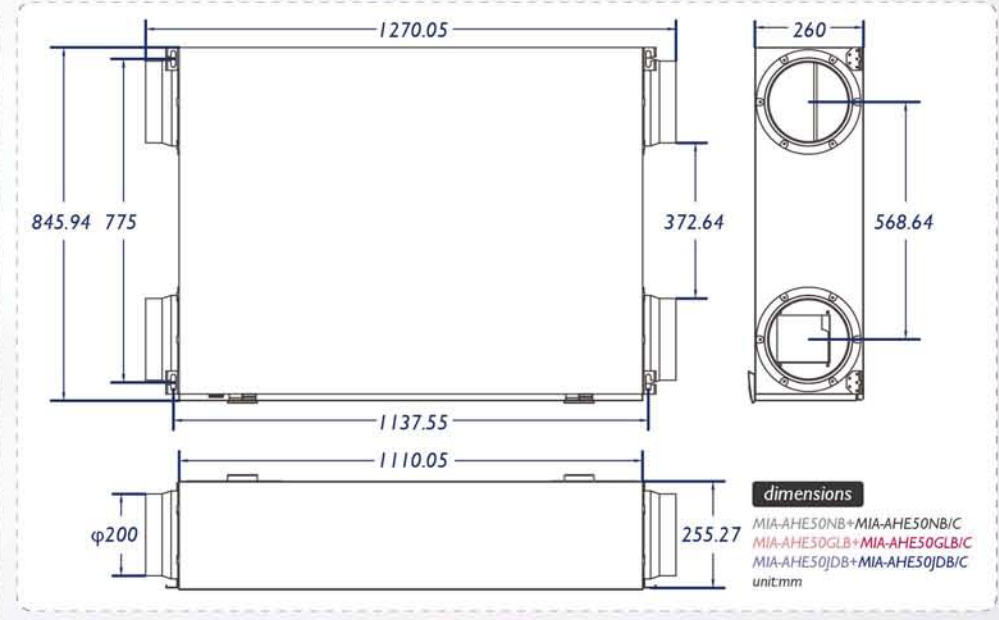
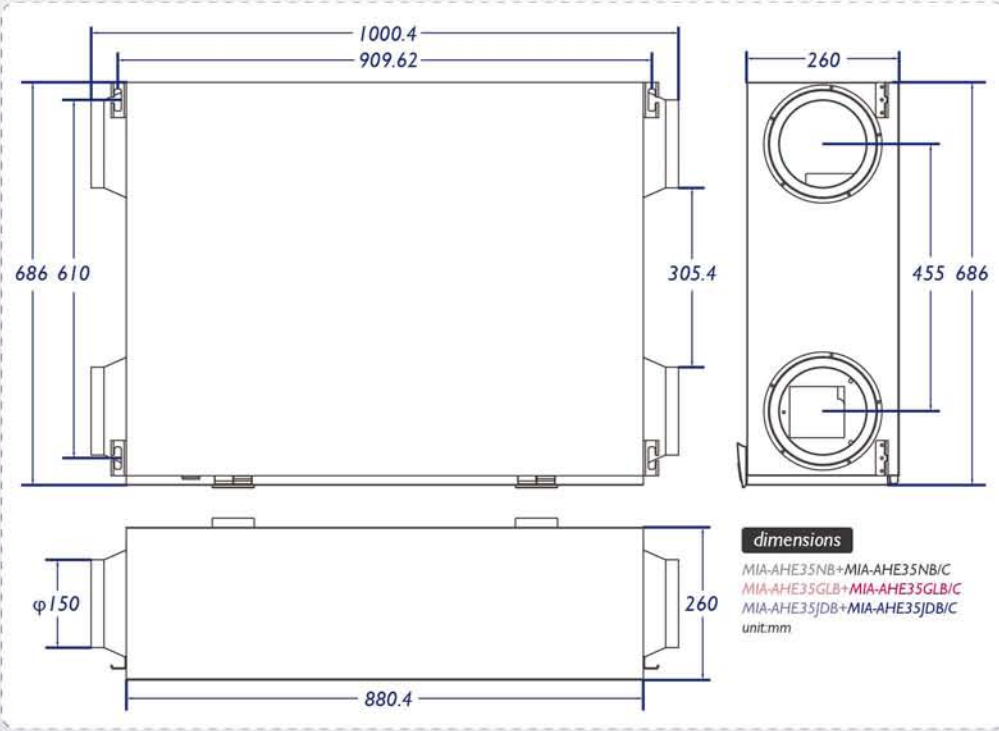
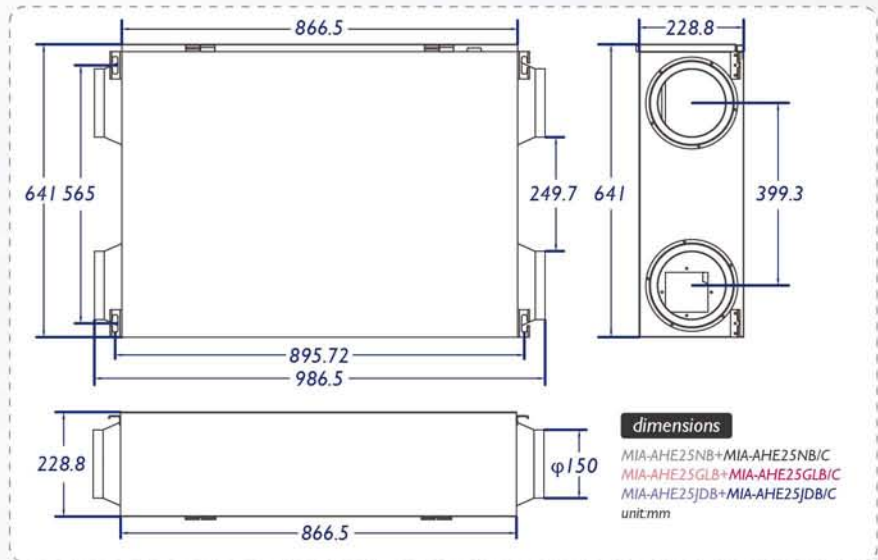
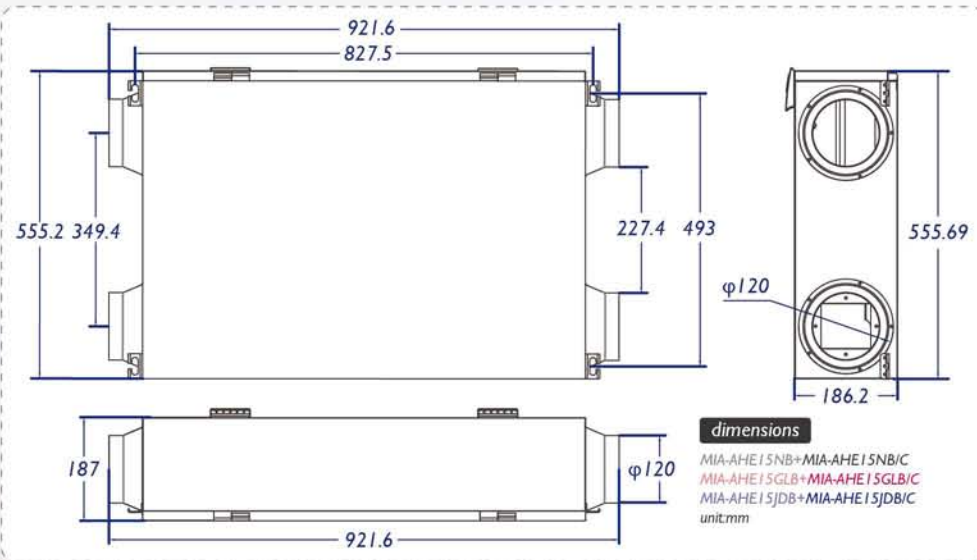
“0”PM2.5 Extremely Pure Air: European standard H13 high efficiency $\geq 99.97\%$

Technical Parameters

Model	Voltage	Power	Volume	Pressure	Efficiency	Noise	External Dimensions				
							a(mm)	b(mm)	h(mm)	Φd(mm)	Weight
MIA-AHE15NB+MIA-AHE15NB/C	220V	122W/92W	150m³/h	290Pa	86%~92%	30dB(A)	800	556	187	120	19.5kg
MIA-AHE25NB+MIA-AHE25NB/C	220V	178W/166W	250m³/h	370Pa	86%~89%	32dB(A)	866.5	641	229	150	26.5kg
MIA-AHE35NB+MIA-AHE35NB/C	220V	246W/233W	350m³/h	392Pa	85%~88%	35dB(A)	880	686	260	150	31.5kg
MIA-AHE50NB+MIA-AHE50NB/C	220V	453W/288W	500m³/h	425Pa	84%~87%	37dB(A)	1110	846	260	200	45kg

Technical Parameters

Model	Voltage	Power	Volume	Pressure	Efficiency	Noise	External Dimensions				
							a(mm)	b(mm)	h(mm)	Φd(mm)	Weight
MIA-AHE15JDB/MIA-AHE15GLB+MIA-AHE15JDB/C MIA-AHE15GLB/C	220V	130W/98W	150m³/h	285Pa	86%~92%	31dB(A)	800	556	187	120	19.6kg
MIA-AHE25JDB/MIA-AHE25GLB+MIA-AHE25JDB/C MIA-AHE25GLB/C	220V	182W/176W	250m³/h	360Pa	86%~89%	33dB(A)	866.5	641	229	150	26.8kg
MIA-AHE35JDB/MIA-AHE35GLB+MIA-AHE35JDB/C MIA-AHE35GLB/C	220V	265W/241W	350m³/h	385Pa	85%~88%	36dB(A)	880	686	260	150	31.6kg
MIA-AHE50JDB/MIA-AHE50GLB+MIA-AHE50JDB/C MIA-AHE50GLB/C	220V	462W/306W	500m³/h	420Pa	84%~87%	38dB(A)	1110	846	260	200	45.5kg



MIA Energy Recovery Exchanger & Air Purification System



Energy Recovery Exchanger

The PSY high thermal conductivity of molecular material, developed by Japanese DR team, has high heat recovery efficiency. It can infiltrate water molecules in the process of heat exchange; with the washable material, also can avoid the problem of bacteria and molds production.



High-voltage Electrostatic Dust

With pin type electric discharge way, the high-voltage electrostatic dust can replace the traditional tungsten filament high-voltage electrostatic dust collection. Its thickness is only 4cm, can be suitable for all kinds of models. The removal rate of PM2.5 is highly to 98%, so that can effectively kill the bacteria and prevent the infection. It's washable, also can be cleaned with brush, and will not increase the using cost.



High Efficiency Particulate Air Filter

The sealing property is far more than the paper border with using the plastic margin. To ensure the health and non-pollution, we take the environmental friendly imported sealant, no color and no odor. The filter element that we use is 3M HEPA, meeting the European standard-H13, and the PM2.5 removal rate can be up to 99.97%, this large dust holding capacity helps to save the total cost.



Early Effect+Activated Carbon

The sealing property is far more than the paper border with using the plastic margin. The filter with composite fiber, sprayed with activated carbon powder, can filter dust particle efficiently and the wind resistance is very small. The even-distributed activated carbon power can maximize the role of activated carbon. This washable filter can be used repeatedly, and two in one way, early effect+activated carbon, greatly reduces the total cost of consumables.

Energy Console Type Energy Recovery Ventilation System

MIA AHE (150m³/h~8500m³/h)

Super Silent ERV Ventilation System Series

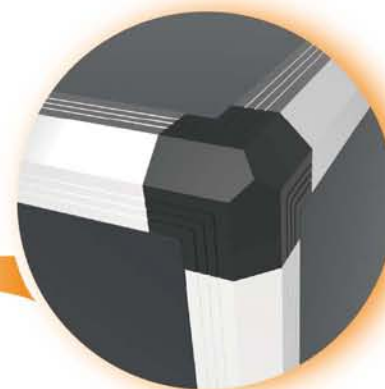
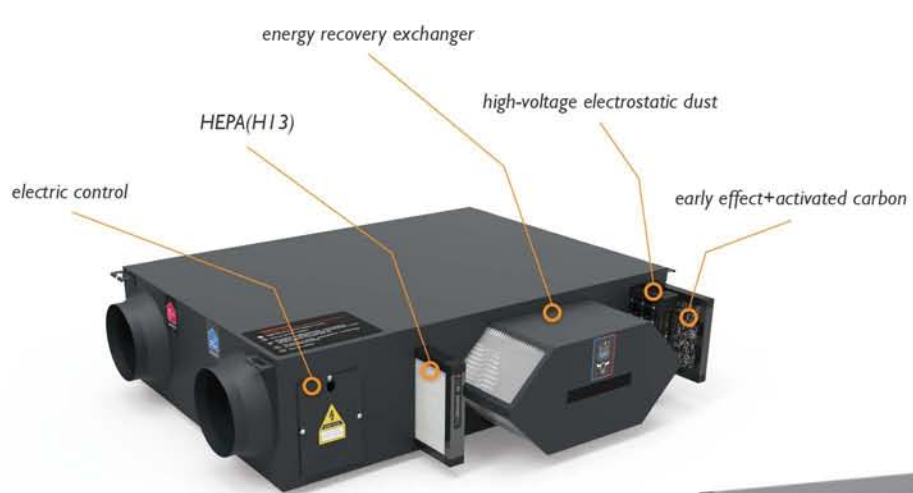


Energy Recovery Ventilation Unit

MIA AHE (9000m³/h~50000m³/h)

Super Heat-insulating Double-layer Plate Aluminum Frame ERV Unit Series

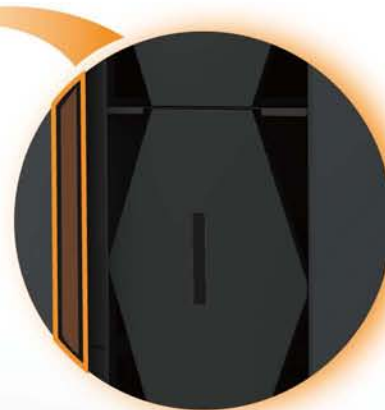




Exclusive design
aluminum frame
& Adapter

Oversized observation window, real-time
observation of equipment conditions.

Ultra-high wind low noise centrifugal fan






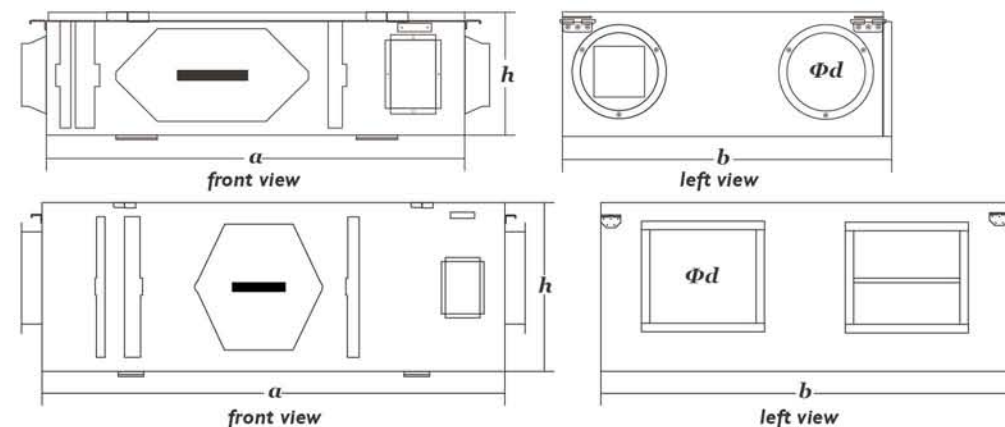
Double-layer
polyurethane
insulation board
30~50mm

Super Purification Sterilization Energy Recovery Ventilation Unit

MIA AHE · JDN / MIA AHE · GL (9000m³/h~50000m³/h)



name	model	filter
energy recovery ventilation	MIA-AHE·NB MIA-AHE·NB/C	
multiple filtered ERV	MIA-AHE·GLB MIA-AHE·GLB/C	
high-voltage electrostatic dust ERV	MIA-AHE·JDB MIA-AHE·JDB/C	



Technical Parameters

Model	Voltage	Power	Volume	Pressure	Efficiency	Noise	External Dimensions				
							α (mm)	b (mm)	h (mm)	Φd (mm)	Weight
MIA-AHE15JDN/MIA-AHE15GL/MIA-AHE15N	220V	73W/73W/70W	150m ³ /h	115Pa	88%~96%	26dB(A)	780	514	186	120	19.5kg
MIA-AHE25JDN/MIA-AHE25GL/MIA-AHE25N	220V	82W/82W/78W	250m ³ /h	132Pa	87%~95%	28dB(A)	866	643	228	150	26.5kg
MIA-AHE35JDN/MIA-AHE35GL/MIA-AHE35N	220V	96W/96W/88W	350m ³ /h	140Pa	86%~94%	29dB(A)	880	688	260	150	31.5kg
MIA-AHE50JDN/MIA-AHE50GL/MIA-AHE50N	220V	128W/128W/120W	500m ³ /h	160Pa	86%~94%	30dB(A)	1110	845	260	200	45kg
MIA-AHE80JDN/MIA-AHE80GL/MIA-AHE80N	220V	188W/188W/180W	800m ³ /h	160Pa	86%~91%	36dB(A)	1143	809	342	200	52kg
MIA-AHE100JDN/MIA-AHE100GL/MIA-AHE100N	220V	266W/266W/260W	1000m ³ /h	170Pa	86%~91%	36dB(A)	1143	809	342	200	52kg
MIA-AHE130JDN/MIA-AHE130GL/MIA-AHE130N	220V	272W/272W/265W	1300m ³ /h	170Pa	87%~91%	38dB(A)	1143	809	342	200	53kg
MIA-AHE150JDN/MIA-AHE150GL/MIA-AHE150N	220V	298W/298W/285W	1500m ³ /h	175Pa	85%~88%	44dB(A)	1143	809	342	200	53.5kg
MIA-AHE170JDN/MIA-AHE170GL/MIA-AHE170N	220V	315W/315W/310W	1700m ³ /h	180Pa	86%~88%	46dB(A)	1280	904	350	250	63kg
MIA-AHE200JDN/MIA-AHE200GL/MIA-AHE200N	220V	335W/335W/330W	2000m ³ /h	205Pa	85%~90%	48dB(A)	1280	904	350	250	63kg
MIA-AHE220JDN/MIA-AHE220GL/MIA-AHE220N	220V	352W/352W/340W	2200m ³ /h	210Pa	85%~90%	49dB(A)	1280	904	350	250	65kg
MIA-AHE250JDN/MIA-AHE250GL/MIA-AHE250N	220V	420W/420W/360W	2500m ³ /h	260Pa	85%~89%	51dB(A)	1280	904	350	250	65kg
MIA-AHE300JDN/MIA-AHE300GL/MIA-AHE300N	220V	510W/510W/480W	3000m ³ /h	260Pa	87%~91%	52dB(A)	1200	904	381	250	69.5kg
MIA-AHE350JDN/MIA-AHE350GL/MIA-AHE350N	220V	580W/580W/560W	3500m ³ /h	265Pa	86%~91%	55dB(A)	1200	904	381	250	69.5kg
MIA-AHE400JDN/MIA-AHE400GL/MIA-AHE400N	220V	710W/710W/600W	4000m ³ /h	280Pa	86%~92%	57dB(A)	1200	1160	476	285×254	71kg
MIA-AHE450JDN/MIA-AHE450GL/MIA-AHE450N	220V	820W/820W/780W	4500m ³ /h	285Pa	86%~91%	61dB(A)	1200	1160	476	285×254	71kg

Technical Parameters

External Dimensions

Model	Voltage	Power	Volume	Pressure	Efficiency	Noise	a(mm)	b(mm)	h(mm)	Φd(mm)	Weight
MIA-AHE500JDN/MIA-AHE500GL/MIA-AHE500N	220V	920W/920W/900W	5000m ³ /h	320Pa	86%~90%	64dB(A)	1300	1160	476	295×260	104kg
MIA-AHE550JDN/MIA-AHE550GL/MIA-AHE550N	220V	1020W/1020W/980W	5500m ³ /h	320Pa	86%~91%	64dB(A)	1300	1160	476	295×260	104kg
MIA-AHE600JDN/MIA-AHE600GL/MIA-AHE600N	220V	1280W/1280W/1100W	6000m ³ /h	330Pa	85%~91%	65dB(A)	1320	1160	550	328×289	116kg
MIA-AHE700JDN/MIA-AHE700GL/MIA-AHE700N	220V	2.55KW/2.55KW/2.2KW	7000m ³ /h	350Pa	85%~91%	65dB(A)	1320	1160	550	328×289	116kg
MIA-AHE750JDN/MIA-AHE750GL/MIA-AHE750N	220V	3.46KW/3.46KW/2.8KW	7500m ³ /h	350Pa	84%~90%	65dB(A)	1320	1160	550	328×289	118kg
MIA-AHE800JDN/MIA-AHE800GL/MIA-AHE800N	220V	3.88KW/3.88KW/3.6KW	8000m ³ /h	360Pa	83%~91%	66dB(A)	1320	1160	550	328×289	118kg
MIA-AHE850JDN/MIA-AHE850GL/MIA-AHE850N	220V	4.42KW/4.42KW/4.1KW	8500m ³ /h	365Pa	83%~90%	66dB(A)	1320	1160	550	328×289	118kg
MIA-AHE900JDN/MIA-AHE900GL/MIA-AHE900N	380V	4.68KW/4.68KW/4.5KW	9000m ³ /h	365Pa	83%~90%	67dB(A)	-	-	-	-	-
MIA-AHE950JDN/MIA-AHE950GL/MIA-AHE950N	380V	4.88KW/4.88KW/4.7KW	9500m ³ /h	370Pa	82%~88%	68dB(A)	-	-	-	-	-
MIA-AHE1000JDN/MIA-AHE1000GL/MIA-AHE1000N	380V	5.26KW/5.26KW/4.8KW	10000m ³ /h	380Pa	81%~86%	68dB(A)	-	-	-	-	-
MIA-AHE1200JDN/MIA-AHE1200GL/MIA-AHE1200N	380V	7.23KW/7.23KW/6.6KW	12000m ³ /h	380Pa~540Pa	81%~86%	69dB(A)	-	-	-	-	-
MIA-AHE1500JDN/MIA-AHE1500GL/MIA-AHE1500N	380V	11.2KW/11.2KW/8.3KW	15000m ³ /h	380Pa~580Pa	81%~85%	72dB(A)	-	-	-	-	-
MIA-AHE2000JDN/MIA-AHE2000GL/MIA-AHE2000N	380V	13.8KW/13.8KW/13KW	20000m ³ /h	380Pa~580Pa	80%~86%	73dB(A)	-	-	-	-	-
MIA-AHE2500JDN/MIA-AHE2500GL/MIA-AHE2500N	380V	15.3KW/15.3KW/14.5KW	25000m ³ /h	380Pa~570Pa	80%~86%	73dB(A)	-	-	-	-	-
MIA-AHE3000JDN/MIA-AHE3000GL/MIA-AHE3000N	380V	17.1KW/17.1KW/16KW	30000m ³ /h	390Pa~580Pa	78%~85%	73dB(A)	-	-	-	-	-
MIA-AHE3500JDN/MIA-AHE3500GL/MIA-AHE3500N	380V	20.2KW/20.2KW/17.8KW	35000m ³ /h	390Pa~585Pa	78%~84%	75dB(A)	-	-	-	-	-
MIA-AHE4000JDN/MIA-AHE4000GL/MIA-AHE4000N	380V	22.3KW/22.3KW/21KW	40000m ³ /h	400Pa~620Pa	79%~86%	75dB(A)	-	-	-	-	-
MIA-AHE4500JDN/MIA-AHE4500GL/MIA-AHE4500N	380V	24.9KW/24.9KW/23.5KW	45000m ³ /h	400Pa~620Pa	79%~86%	75dB(A)	-	-	-	-	-
MIA-AHE5000JDN/MIA-AHE5000GL/MIA-AHE5000N	380V	27.6KW/27.6KW/26KW	50000m ³ /h	400Pa~620Pa	76%~83%	76dB(A)	-	-	-	-	-

Surface-mounted Fresh Ventilation System

MIA · B | MIA · L

Wall-mounted & Cabinet Ventilation System Series



wal-mounted
ERV

wal-mounted
unidirection

cabinet type
ERV



optional function:
UV disinfection

Wall-mounted Ventilation System

MIA B

Wall-mounted ERV & Wall-mounted Unidirection Series

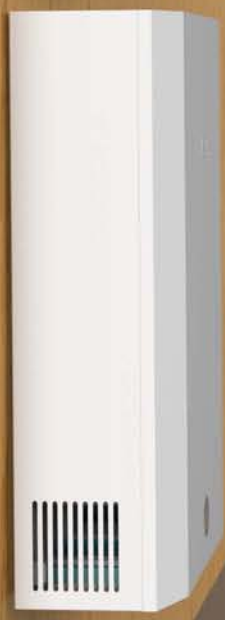
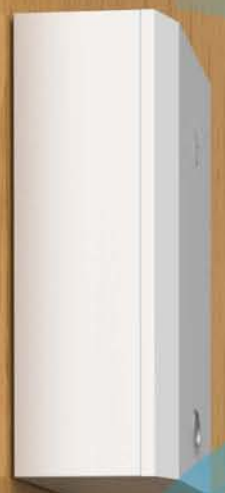
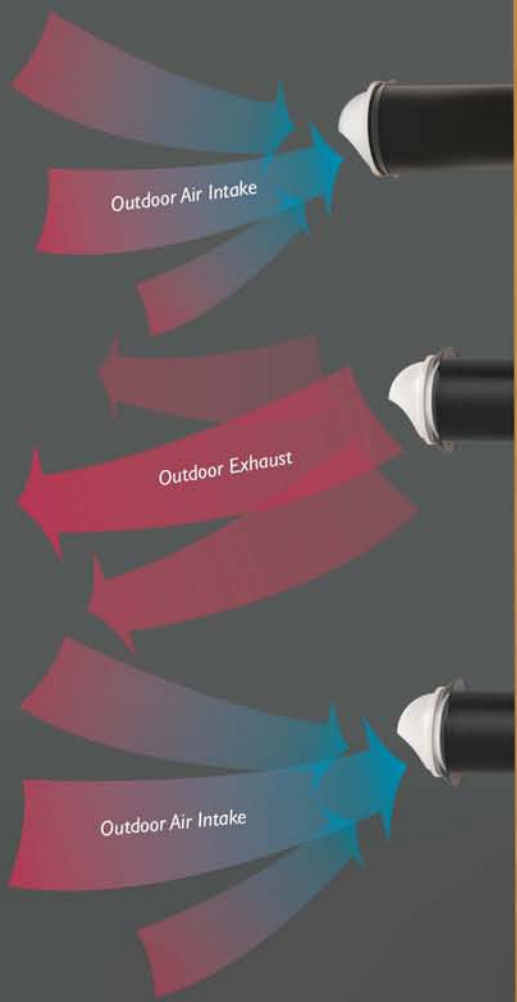


Technical Parameters

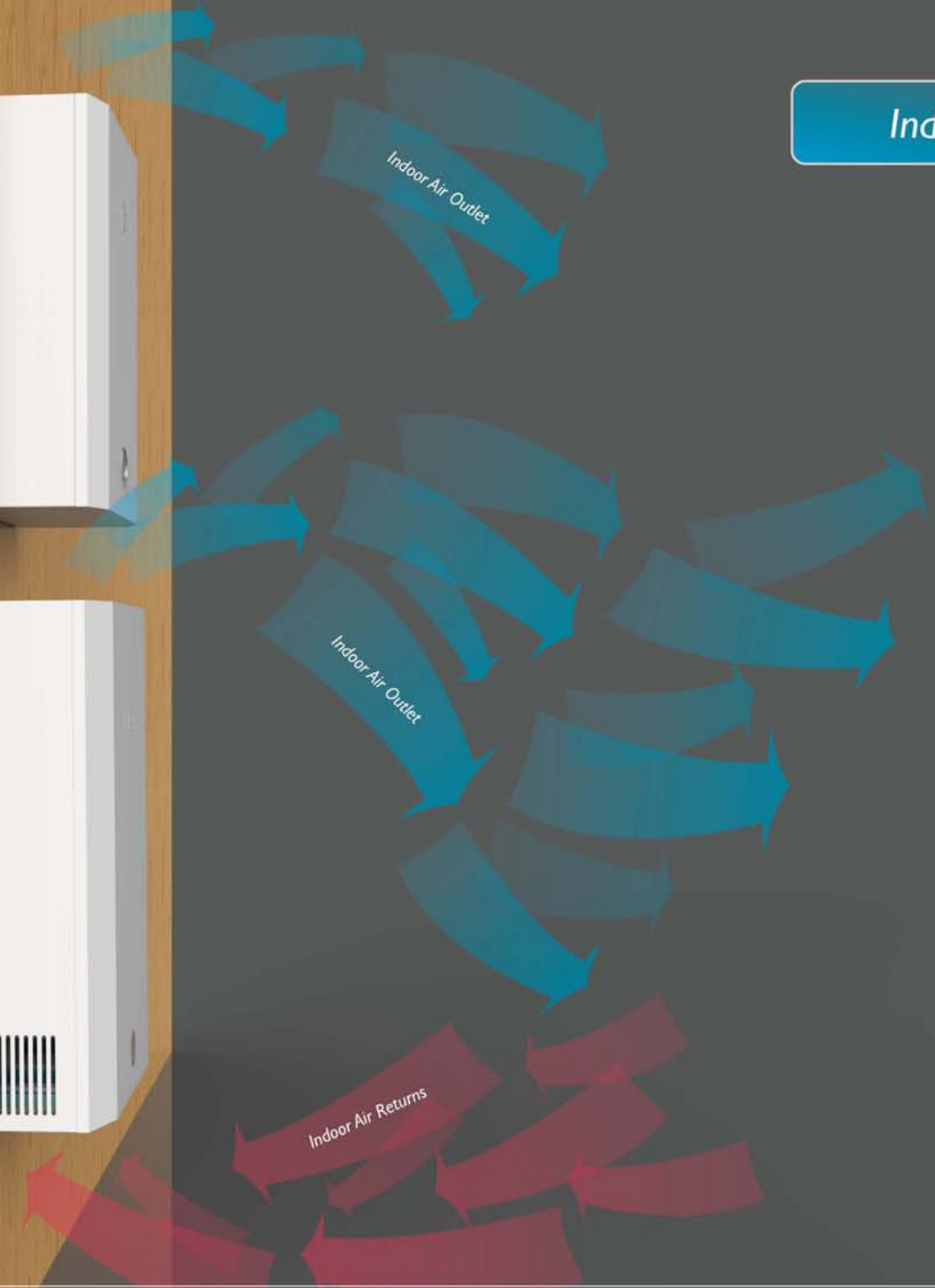
Model	Voltage	Power	Volume	Efficiency	Noise	External Dimensions				
						a(mm)	b(mm)	h(mm)	Φd(mm)	Weight
MIA-AHE/BGL	220V	48W	180m ³ /h	92.5%~94%	16~22dB(A)	506.3	196.5	702.1	100	21kg
MIA-AHE/BJD	220V	48W	180m ³ /h	92.5%~94%	16~22dB(A)	506.3	196.5	702.1	100	21kg
MIA-S200BGL	220V	28W	200m ³ /h	/	22~28dB(A)	402	547	190	100	16kg
MIA-S200BJD	220V	28W	200m ³ /h	/	22~28dB(A)	402	547	190	100	16kg

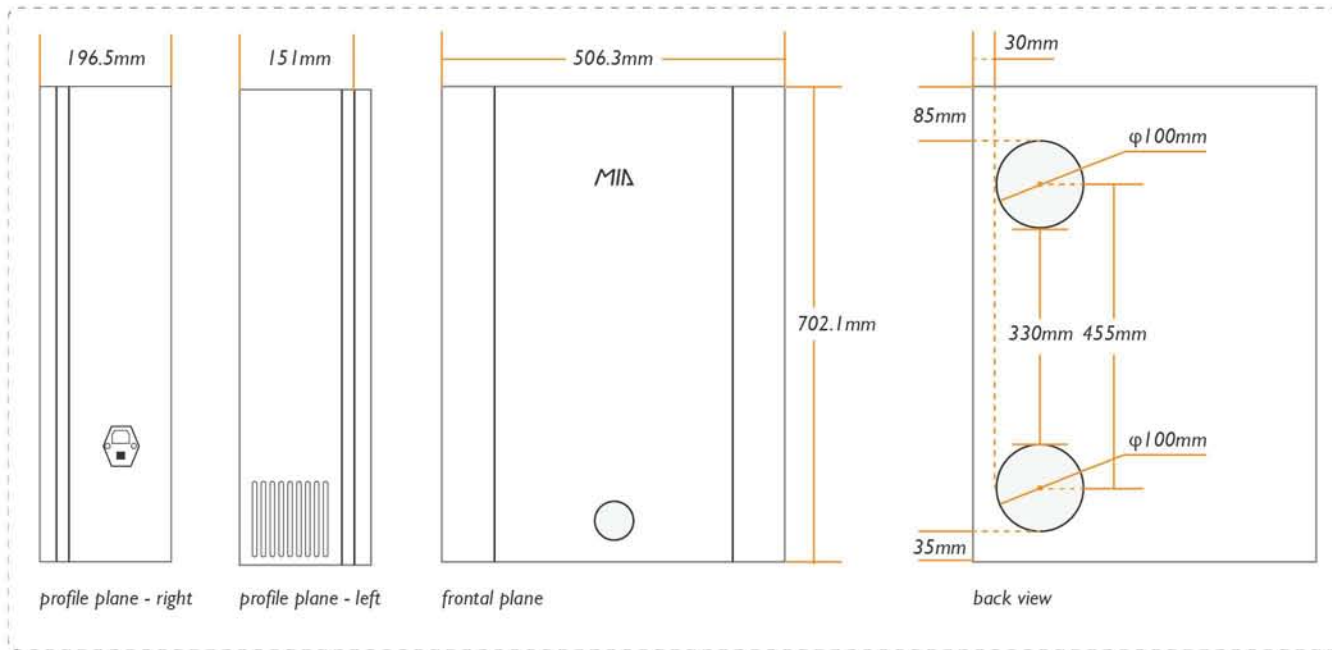
Outdoor

install the schematic

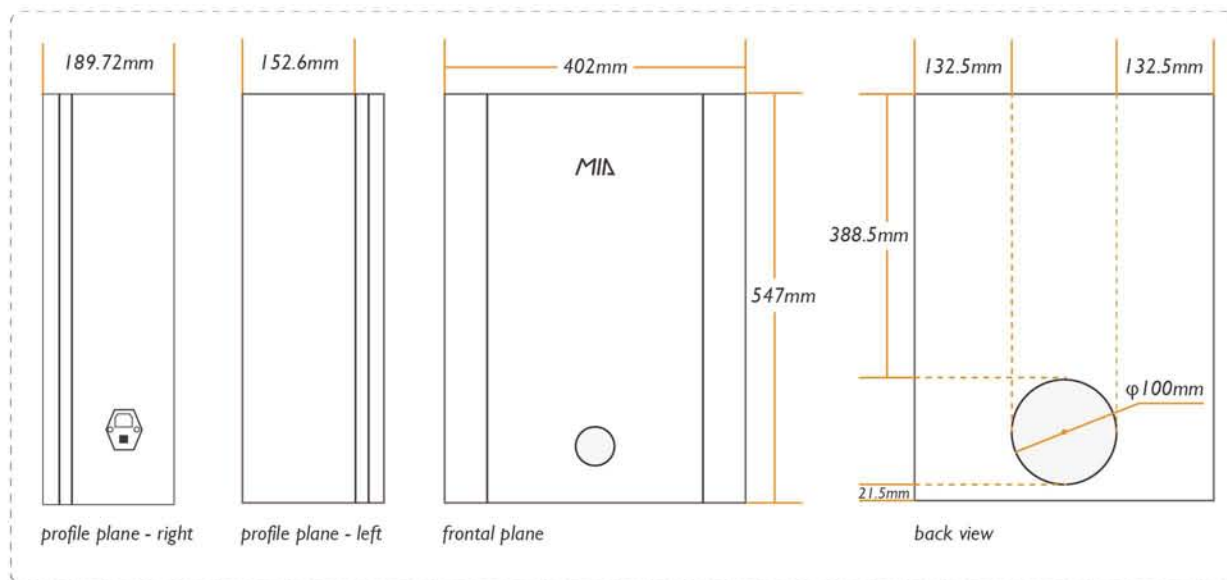
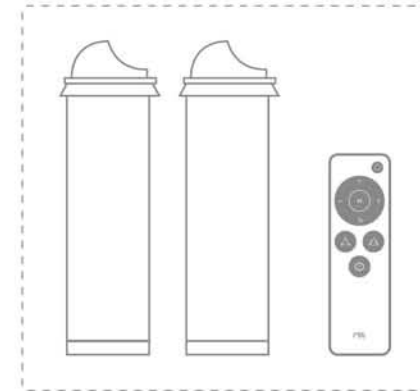


Indoor

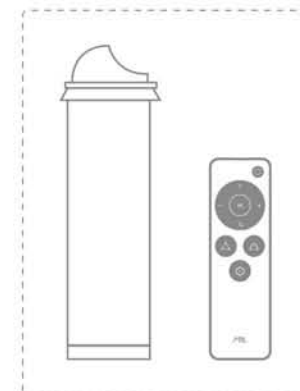




MIA-AHE/BGL
MIA-AHE/BJD
Installation dimension drawing



MIA-S200BGL
MIA-S200BJD
Installation dimension drawing

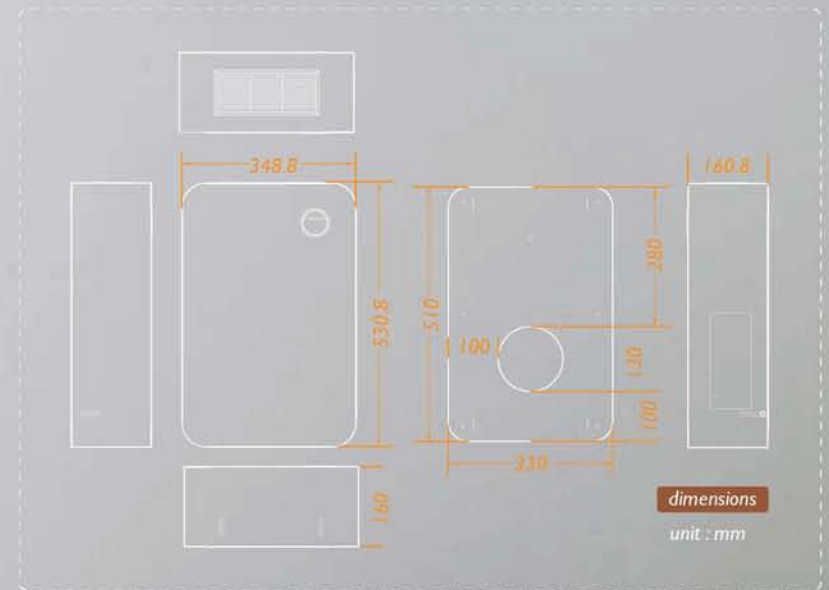


Wall-mounted Ventilation System

MIA-MS200B

Wall-mounted Unidirection Series

MIA-MS200B configuration



Wall-mounted Unidirection Fan

model: MIA-MS200B

voltage: 220V

power: 28W

volume: 200m³/h

noise: 22~28dB(A)

size: 350×530×160mm

Φd: 100mm

weight: 12kg

Window Air Ventilation MIA CGL



Installed in the window.

Don't need to destroy the wall.

Removal of PM2.5 efficiency is as high as 98%.

Super quiet.◦



model: MIA-CGL

voltage: 220V

power: 36W

volume: 180m³/h

noise: 16~22dB(A)

size: 900×200×188mm

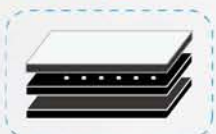
Cabinet Type ERV Ventilation System

MIA L

MIA-AHE600L configuration



MIA-AHE600JDL configuration



MIA-AHE900L configuration



MIA-AHE900JDL configuration



- the washable PSY high thermal conductivity of molecular material energy recovery exchanger
- European standard H13 high efficiency $\geq 99.97\%$
- Internal circulation speed purification mode
- turn on the by-pass mode with one button, and the heat recovery process will be closed
- optional function : UV disinfection
- optional function : electric auxiliary heat
- optional function : high-voltage electrostatic dust

Technical Parameters

Model	Voltage	Power	Volume	Efficiency	Noise	External Dimensions				
						a(mm)	b(mm)	h(mm)	Φ d(mm)	Weight
MIA-AHE600L	220V	162W	600m ³ /h	88.3%~91.5%	28~37dB(A)	500	262	1458	150	48.5kg
MIA-AHE600JDL	220V	162W	600m ³ /h	88.3%~91.5%	28~37dB(A)	500	262	1458	150	48.5kg
MIA-AHE900L	220V	192W	900m ³ /h	86.6%~90.5%	32~39dB(A)	556	341.6	1725.48	200	66.5kg
MIA-AHE900JDL	220V	192W	900m ³ /h	86.6%~90.5%	32~39dB(A)	556	341.6	1725.48	200	66.5kg

Outdoor

install the schematic



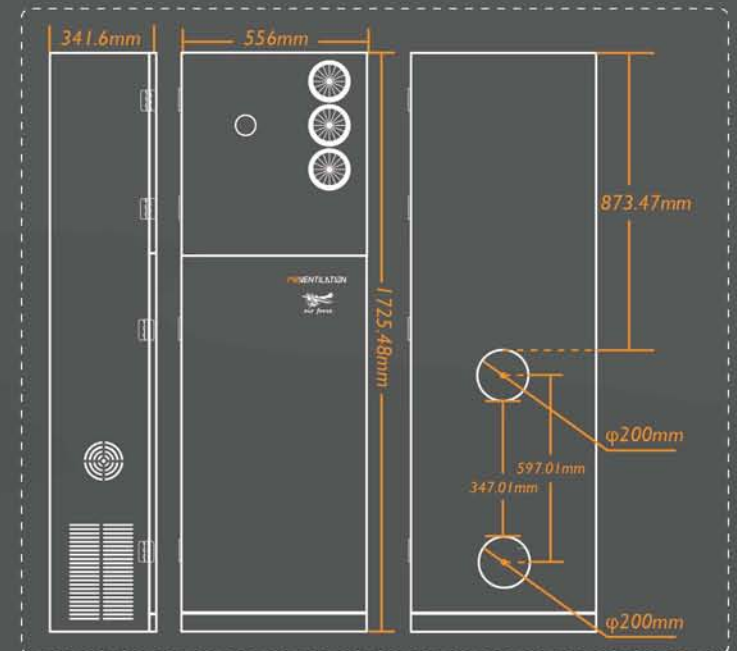
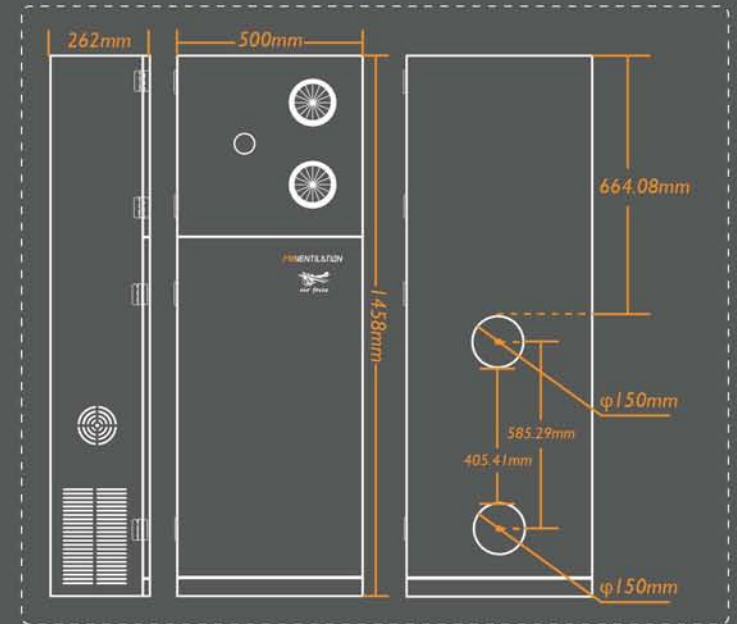
Outdoor Exhaust

Outdoor Air Intake

Indoor

Indoor Air Outlet

Indoor Air Returns



Dehumidification Fresh Ventilation System

MIA · XF | MIA · D

Fresh Air Dehumidification Ventilation Series



high speed external motor



use HITACHI & Panasonic compressor

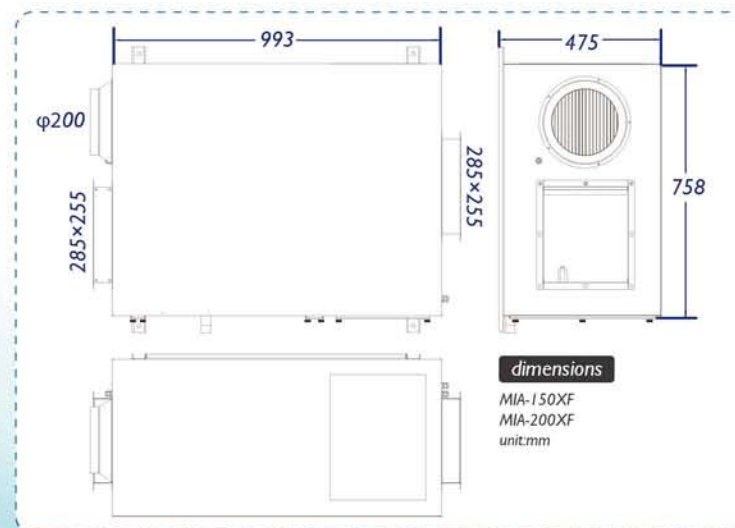
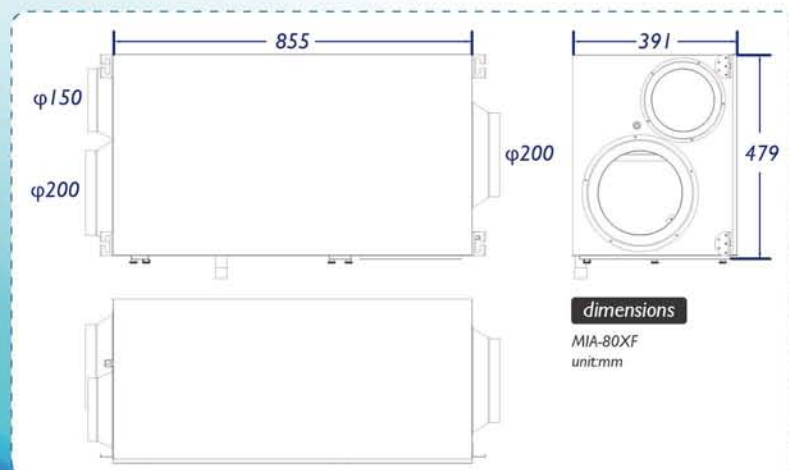
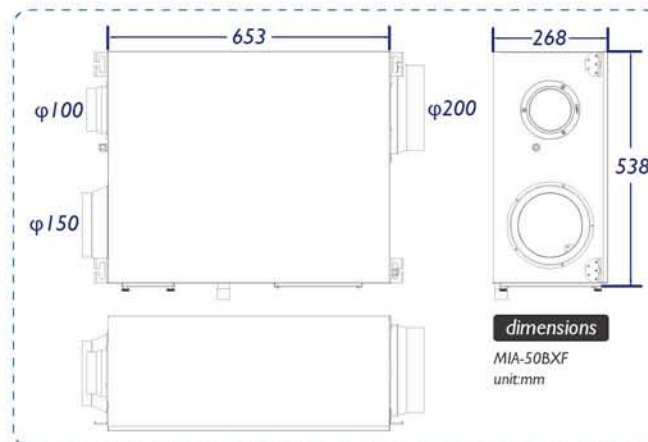
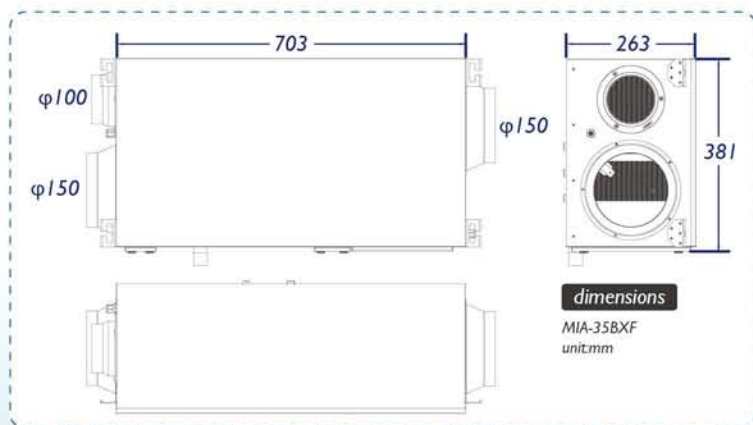


European standard H13 high efficiency >99.97%



support RS485





Technical Parameters

Model	Voltage	Power	Volume	Pressure	Dehumidification	Applicable area	Air volume	External Dimensions	Weight
MIA-35BXF	220V	380W	350m ³ /h	185Pa	35L/D	30~60m ²	0~150m ³ /h	703×381×263mm	30kg
MIA-50BXF	220V	585W	500m ³ /h	220Pa	60L/D	60~100m ²	0~180m ³ /h	653×538×268mm	40kg
MIA-80XF	220V	960W	800m ³ /h	165Pa	85L/D	100~180m ²	0~250m ³ /h	855×479×391mm	54kg
MIA-150XF	220V	2400W	1500m ³ /h	170Pa	200L/D	300~500m ²	0~500m ³ /h	993×758×475mm	80kg
MIA-200XF	220V	2486W	2000m ³ /h	185Pa	220L/D	400~600m ²	0~650m ³ /h	993×758×475mm	83kg

Dehumidification Fresh Ventilation System

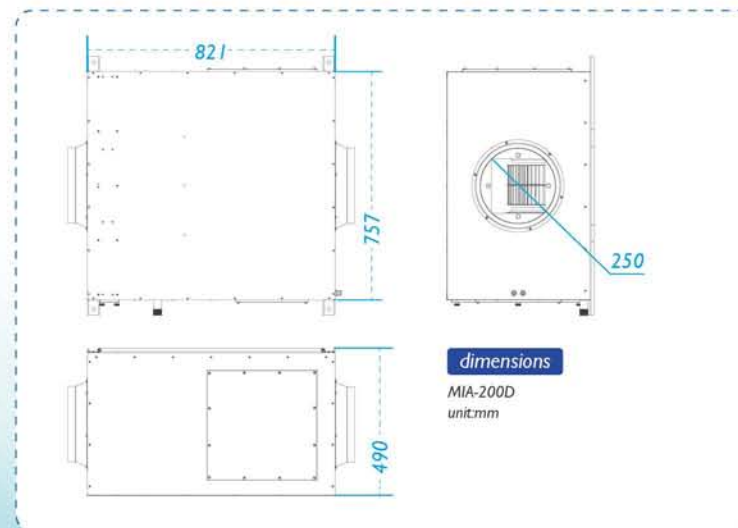
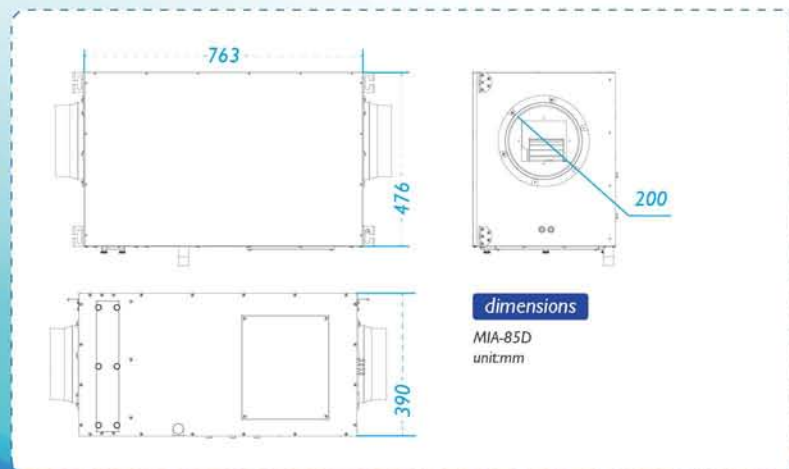
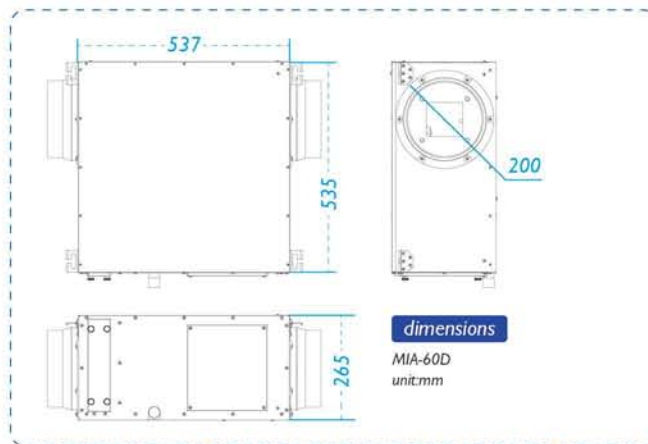
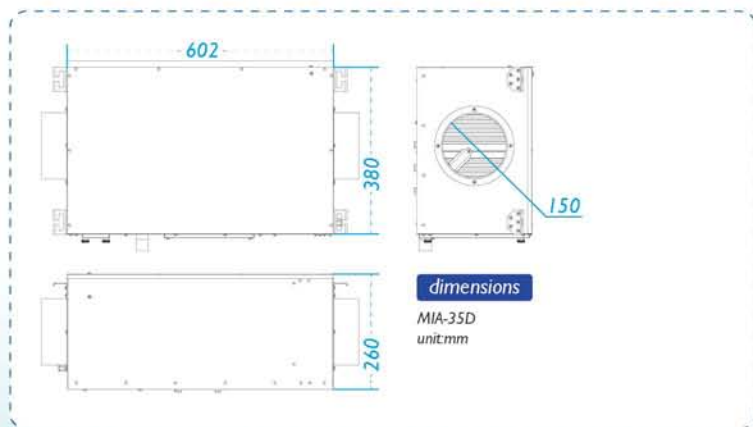
MIA · XF | MIA · D

Console Type Dehumidification Series



use HITACHI
& Panasonic
compressor





Technical Parameters



Model	Voltage	Power	Dehumidification	External Dimensions	Weight
MIA-35D	220V	290W	35L/D	703×381×263mm	30kg
MIA-60D	220V	420W	60L/D	653×538×268mm	40kg
MIA-85D	220V	822W	85L/D	855×479×391mm	54kg
MIA-200D	220V	2335W	200L/D	993×758×475mm	80kg

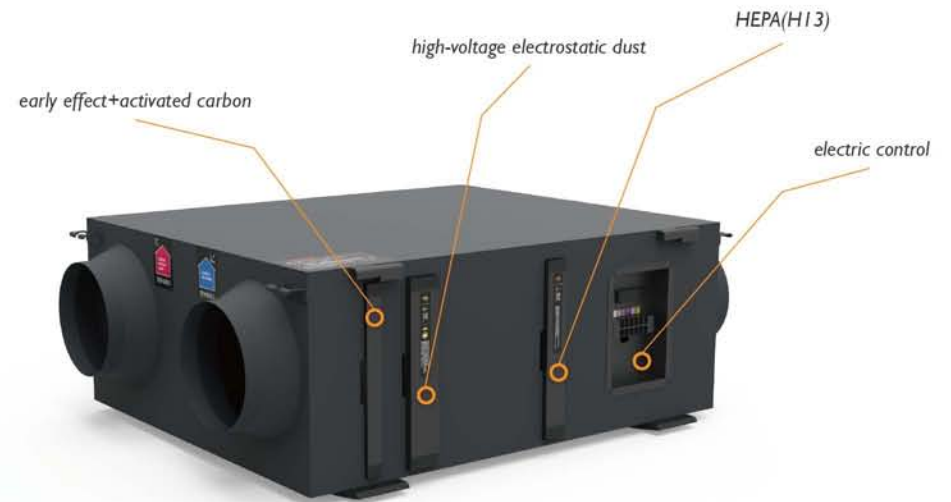
Bidirectional Flow Ventilation System

MIA SXL (150m³/h~12000m³/h)

Inside And Outside Ventilation+Purify & Commercial Ventilation System Series



name	model	filter
bidirectional flow	MIA-SXL	/
multiple filtered bidirectional flow	MIA-GL·SXL	
high-voltage electrostatic dust bidirectional flow	MIA-JD·SXL	



Intelligent Control: Models below 8500m³/h use 220V power fan, optional intelligent controller.

“0”PM2.5 Extremely Pure Air: European standard H13 high efficiency $\geq 99.97\%$

Technical Parameters

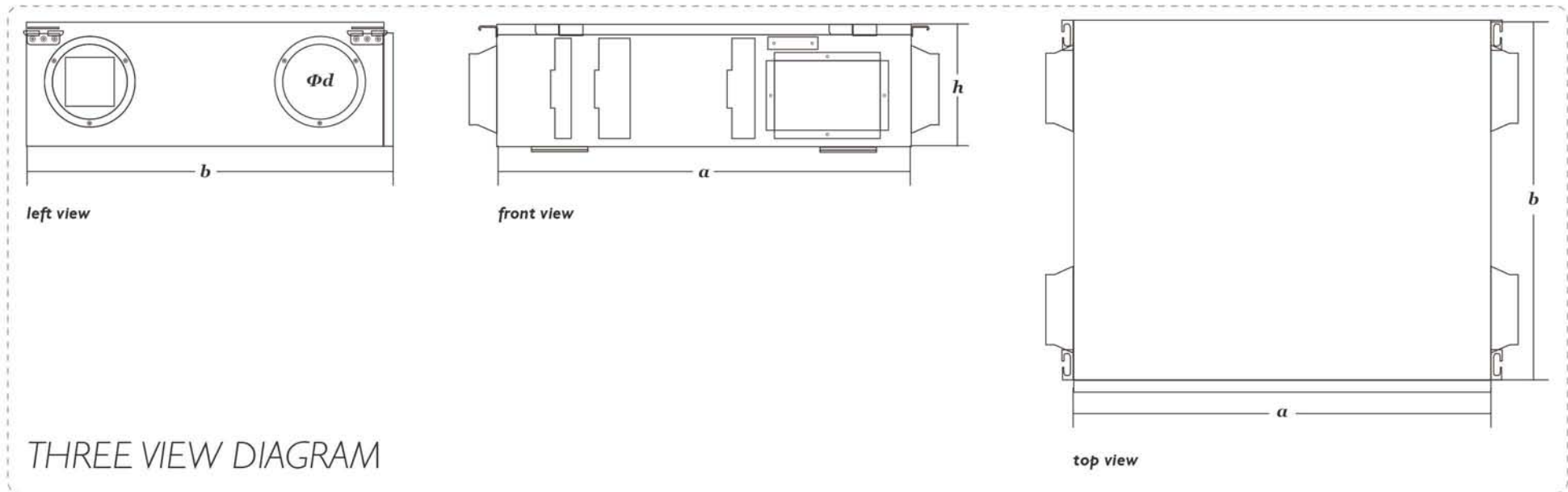
Model	Voltage	Power	Volume	Pressure	Noise	a(mm)	b(mm)	h(mm)	Φd(mm)	Weight
MIA-GL15SXL/MIA-JD15SXL/MIA-15SXL	220V	73W/73W/70W	150m ³ /h	115Pa	26dB(A)	552	493	164	100	10.5kg
MIA-GL25SXL/MIA-JD25SXL/MIA-25SXL	220V	82W/82W/78W	250m ³ /h	132Pa	28dB(A)	652	545	182	125	15kg
MIA-GL35SXL/MIA-JD35SXL/MIA-35SXL	220V	96W/96W/88W	350m ³ /h	140Pa	29dB(A)	650	564	256	150	17kg
MIA-GL50SXL/MIA-JD50SXL/MIA-50SXL	220V	128W/128W/120W	500m ³ /h	160Pa	30dB(A)	800	714	260	150	22kg
MIA-GL80SXL/MIA-JD80SXL/MIA-80SXL	220V	188W/188W/180W	800m ³ /h	160Pa	36dB(A)	800	796	332	200	28.5kg
MIA-GL100SXL/MIA-JD100SXL/MIA-100SXL	220V	266W/266W/260W	1000m ³ /h	170Pa	36dB(A)	850	746	332	200	29kg
MIA-GL130SXL/MIA-JD130SXL/MIA-130SXL	220V	266W/266W/260W	1300m ³ /h	170Pa	38dB(A)	850	746	332	200	29kg
MIA-GL150SXL/MIA-JD150SXL/MIA-150SXL	220V	298W/298W/285W	1500m ³ /h	175Pa	44dB(A)	850	746	332	200	29kg
MIA-GL170SXL/MIA-JD170SXL/MIA-170SXL	220V	315W/315W/310W	1700m ³ /h	180Pa	46dB(A)	850	746	332	200	29.5kg
MIA-GL200SXL/MIA-JD200SXL/MIA-200SXL	220V	335W/335W/330W	2000m ³ /h	205Pa	48dB(A)	850	746	332	250	38.5kg
MIA-GL220SXL/MIA-JD220SXL/MIA-220SXL	220V	352W/352W/340W	2200m ³ /h	210Pa	49dB(A)	850	746	332	250	38.8kg

External Dimensions

Technical Parameters

External Dimensions

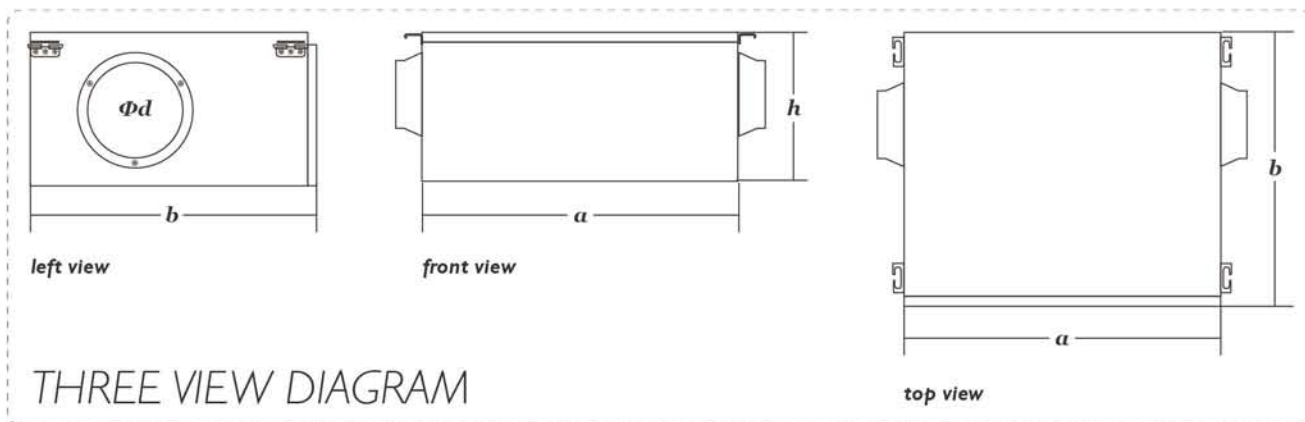
Model	Voltage	Power	Volume	Pressure	Noise	α (mm)	b (mm)	h (mm)	Φd (mm)	Weight
MIA-GL250SXL/MIA-JD250SXL/MIA-250SXL	220V	420W/420W/360W	2500m ³ /h	260Pa	51dB(A)	850	746	332	250	39kg
MIA-GL300SXL/MIA-JD300SXL/MIA-300SXL	220V	510W/510W/480W	3000m ³ /h	260Pa	52dB(A)	850	903	380	250	44kg
MIA-GL350SXL/MIA-JD350SXL/MIA-350SXL	220V	580W/580W/560W	3500m ³ /h	265Pa	55dB(A)	850	903	380	250	44kg
MIA-GL400SXL/MIA-JD400SXL/MIA-400SXL	220V	710W/710W/600W	4000m ³ /h	280Pa	57dB(A)	900	1062	435	286×255	62kg
MIA-GL450SXL/MIA-JD450SXL/MIA-450SXL	220V	820W/820W/780W	4500m ³ /h	285Pa	61dB(A)	900	1062	435	286×255	62kg
MIA-GL500SXL/MIA-JD500SXL/MIA-500SXL	220V	920W/920W/900W	5000m ³ /h	320Pa	64dB(A)	1000	1048	465	295×260	68kg
MIA-GL550SXL/MIA-JD550SXL/MIA-550SXL	220V	1020W/1020W/980W	5500m ³ /h	320Pa	64dB(A)	1000	1048	465	295×260	68kg
MIA-GL600SXL/MIA-JD600SXL/MIA-600SXL	220V	1280W/1280W/1100W	6000m ³ /h	330Pa	65dB(A)	1150	1067	541	328×289	80kg
MIA-GL650SXL/MIA-JD650SXL/MIA-650SXL	220V	1665W/1665W/1580W	6500m ³ /h	330Pa	66dB(A)	1150	1067	541	328×289	82kg
MIA-GL700SXL/MIA-JD700SXL/MIA-700SXL	220V	2.2KW/2.2KW/1.8KW	7000m ³ /h	340Pa	68dB(A)	-	-	-	-	-
MIA-GL800SXL/MIA-JD800SXL/MIA-800SXL	220V	3.3KW/3.3KW/2.6KW	8000m ³ /h	340Pa	69dB(A)	-	-	-	-	-
MIA-GL850SXL/MIA-JD850SXL/MIA-850SXL	220V	3.8KW/3.8KW/3.2KW	8500m ³ /h	345Pa	71dB(A)	-	-	-	-	-



Silent Fans Ventilation System
MIA SFJ (150m³/h~3500m³/h)

Ultra-quiet Blower





Technical Parameters

External Dimensions

Model	Voltage	Power	Volume	Pressure	Noise	a(mm)	b(mm)	h(mm)	Φd(mm)	Weight
MIA-15SFJ	220V	19W	150m ³ /h	115Pa	21dB(A)	290	288	160	100	4.2kg
MIA-25SFJ	220V	38W	250m ³ /h	132Pa	27dB(A)	290	288	160	100	4.3kg
MIA-35SFJ	220V	60W	350m ³ /h	140Pa	29dB(A)	313	313	196	150	9.8kg
MIA-50SFJ	220V	105W	500m ³ /h	185Pa	31dB(A)	380	380	259	150	12.6kg
MIA-80SFJ	220V	120W	800m ³ /h	225Pa	32dB(A)	418	412	343	200	17.3kg
MIA-100SFJ	220V	130W	1000m ³ /h	258Pa	40dB(A)	418	412	343	200	18.8kg
MIA-130SFJ	220V	140W	1300m ³ /h	260Pa	41dB(A)	418	412	343	200	20.3kg
MIA-150SFJ	220V	145W	1500m ³ /h	360Pa	42dB(A)	418	412	343	200	22.2kg
MIA-170SFJ	220V	165W	1700m ³ /h	405Pa	43dB(A)	418	412	343	200	23.2kg
MIA-200SFJ	220V	170W	2000m ³ /h	620Pa	45dB(A)	468	466	346	250	26.8kg
MIA-220SFJ	220V	170W	2200m ³ /h	625Pa	45dB(A)	468	466	346	250	29.1kg
MIA-250SFJ	220V	180W	2500m ³ /h	625Pa	47dB(A)	468	466	346	250	31.3kg
MIA-270SFJ	220V	205W	2700m ³ /h	630Pa	48dB(A)	480	490	382	250	33.8kg
MIA-300SFJ	220V	240W	3000m ³ /h	635Pa	51dB(A)	480	490	382	250	36.6kg
MIA-350SFJ	220V	252W	3500m ³ /h	635Pa	53dB(A)	480	490	382	250	37.2kg

Purified Silent Fans Ventilation System

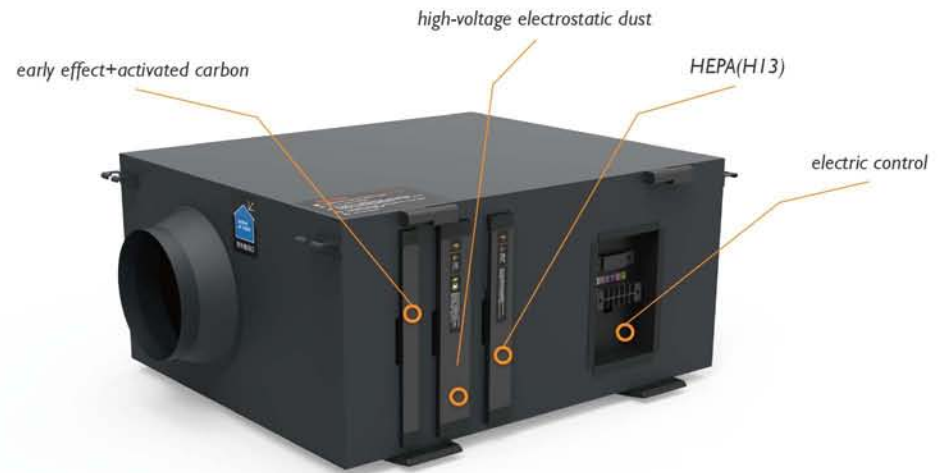
MIA GL · SFJ / MIA JD · SFJ (150m³/h~3500m³/h)

Multiple Filtered Silent Fans / High-voltage Electrostatic Dust Silent Fans Ventilation System Series



name	model	filter
multiple filtered silent fans	MIA-GL·SFJ	
high-voltage electrostatic dust silent fans	MIA-JD·SFJ	

“0”PM2.5 Extremely Pure Air: European standard H13 high efficiency $\geq 99.97\%$



Technical Parameters

Model	Voltage	Power	Volume	Pressure	Noise	a(mm)	b(mm)	h(mm)	Φd(mm)	Weight
MIA-GL15SFJ/MIA-JD15SFJ	220V	26W	150m ³ /h	115Pa	21dB(A)	414	299	164	100	4.8kg
MIA-GL25SFJ/MIA-JD25SFJ	220V	46W	250m ³ /h	132Pa	27dB(A)	414	299	164	100	5.1kg
MIA-GL35SFJ/MIA-JD35SFJ	220V	78W	350m ³ /h	140Pa	29dB(A)	490	423	196	150	11.6kg
MIA-GL50SFJ/MIA-JD50SFJ	220V	112W	500m ³ /h	185Pa	31dB(A)	550	482	258	150	14.8kg
MIA-GL80SFJ/MIA-JD80SFJ	220V	126W	800m ³ /h	225Pa	32dB(A)	600	487	336	200	20kg
MIA-GL100SFJ/MIA-JD100SFJ	220V	138W	1000m ³ /h	258Pa	40dB(A)	600	487	336	200	22kg
MIA-GL130SFJ/MIA-JD130SFJ	220V	143W	1300m ³ /h	260Pa	41dB(A)	600	487	336	200	23.6kg
MIA-GL150SFJ/MIA-JD150SFJ	220V	152W	1500m ³ /h	360Pa	42dB(A)	600	487	336	200	25.8kg
MIA-GL170SFJ/MIA-JD170SFJ	220V	168W	1700m ³ /h	405Pa	43dB(A)	600	487	336	200	26.9kg
MIA-GL200SFJ/MIA-JD200SFJ	220V	175W	2000m ³ /h	620Pa	45dB(A)	600	485	346	250	31.2kg
MIA-GL220SFJ/MIA-JD220SFJ	220V	175W	2200m ³ /h	625Pa	45dB(A)	600	485	346	250	33.8kg
MIA-GL250SFJ/MIA-JD250SFJ	220V	188W	2500m ³ /h	625Pa	47dB(A)	600	485	346	250	36.4kg
MIA-GL270SFJ/MIA-JD270SFJ	220V	232W	2700m ³ /h	630Pa	48dB(A)	600	482	346	250	39.3kg
MIA-GL300SFJ/MIA-JD300SFJ	220V	252W	3000m ³ /h	635Pa	51dB(A)	650	505	380	250	42.5kg
MIA-GL350SFJ/MIA-JD350SFJ	220V	258W	3500m ³ /h	635Pa	53dB(A)	650	505	380	250	43.2kg

External Dimensions

Mixed Air Purifier Ventilation System

MIA SFJ/NXH

Inner Loop Mixed Air Purifier Rapid Purification Series

name	model	filter
multiple filtered mixed air purifier	MIA-SFJ/NXH	
high-voltage electrostatic dust mixed air purifier	MIA-SFJD/NXH	

Model	Voltage	Power	Volume	Pressure	Noise	Size	$\Phi d1$ (mm)	$\Phi d2$ (mm)	Weight
MIA-25SFJ/NXH MIA-25SFJD/NXH	220V	47W/47W	250m ³ /h	135Pa	28dB(A)	414×299×164mm	100	150	5kg
MIA-35SFJ/NXH MIA-35SFJD/NXH	220V	81W/81W	350m ³ /h	142Pa	30dB(A)	414×299×164mm	100	150	5.3kg



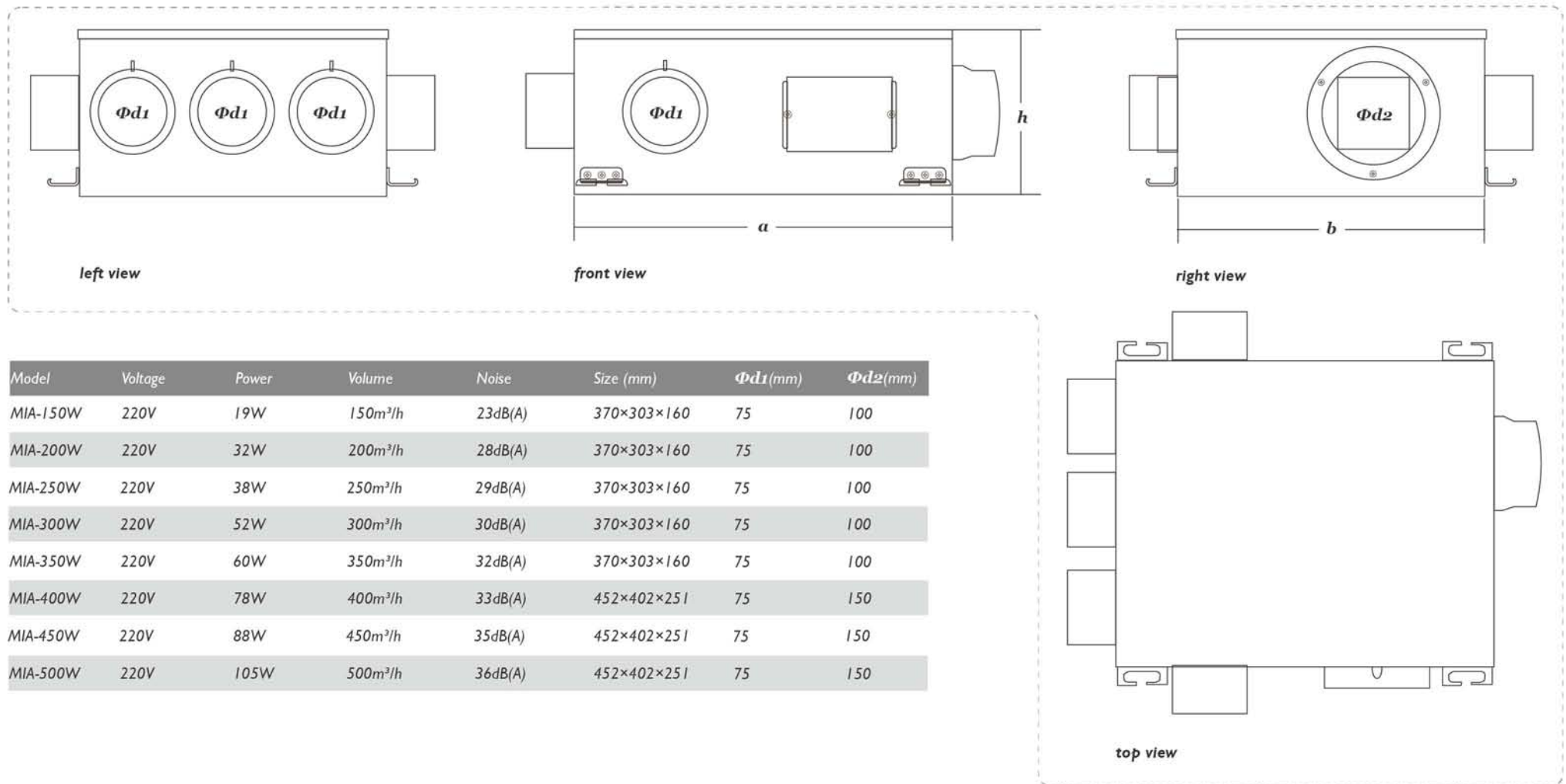
Optional built-in
1 ~ 2 electric
dampers



Negative Pressure Ventilation System
MIA W

Porous Self-Balancing Negative Pressure Ventilation System Series





Model	Voltage	Power	Volume	Noise	Size (mm)	Φd1 (mm)	Φd2 (mm)
MIA-150W	220V	19W	150m³/h	23dB(A)	370×303×160	75	100
MIA-200W	220V	32W	200m³/h	28dB(A)	370×303×160	75	100
MIA-250W	220V	38W	250m³/h	29dB(A)	370×303×160	75	100
MIA-300W	220V	52W	300m³/h	30dB(A)	370×303×160	75	100
MIA-350W	220V	60W	350m³/h	32dB(A)	370×303×160	75	100
MIA-400W	220V	78W	400m³/h	33dB(A)	452×402×251	75	150
MIA-450W	220V	88W	450m³/h	35dB(A)	452×402×251	75	150
MIA-500W	220V	105W	500m³/h	36dB(A)	452×402×251	75	150

Wind Chassis Ventilation System

MIA FJX (1500m³/h~50000m³/h)

Floor-standing Type Outdoor Wind Chassis Ventilation System Series

General Civil Voltage 220V: The models with the volume lower than 9500m³/h, are all adapted the general civil voltage 220V.

Three-Speed Control: There are APP-controller/LDC available, can be realized three-speed control.



Technical Parameters

External Dimensions

Model	Voltage	Power	Volume	Pressure	Noise	a(mm)	b(mm)	h(mm)	Φd1(mm)	Φd2(mm)	Weight
MIA-150FJX	220V	0.22KW	1500m³/h	200Pa	50dB(A)	448	449	353	182×178	408×282	24kg
MIA-200FJX	220V	0.25KW	2000m³/h	225Pa	51dB(A)	448	449	353	182×178	408×282	25kg
MIA-250FJX	220V	0.45KW	2500m³/h	250Pa	52dB(A)	448	449	353	182×178	408×282	29kg
MIA-300FJX	220V	0.55KW	3000m³/h	250Pa	53dB(A)	578	578	410	228×221	537×340	32kg
MIA-350FJX	220V	0.65KW	3500m³/h	280Pa	54dB(A)	578	578	410	228×221	537×340	38kg
MIA-400FJX	220V	0.75KW	4000m³/h	300Pa	55dB(A)	578	578	410	228×221	537×340	46kg
MIA-450FJX	220V	0.90KW	4500m³/h	300Pa	56dB(A)	578	578	410	228×221	537×340	47kg
MIA-500FJX	220V	1.10KW	5000m³/h	300Pa	57dB(A)	574	574	443	284×254	517×357	49kg
MIA-550FJX	220V	1.30KW	5500m³/h	330Pa	58dB(A)	574	574	443	284×254	517×357	52kg
MIA-600FJX	220V	1.50KW	6000m³/h	350Pa	59dB(A)	574	574	443	284×254	517×357	59kg
MIA-650FJX	220V	1.80KW	6500m³/h	350Pa	60dB(A)	574	574	443	284×254	517×357	64kg
MIA-700FJX	220V	2.20KW	7000m³/h	380Pa	61dB(A)	596	596	482	295×260	553×412	72kg
MIA-750FJX	220V	2.30KW	7500m³/h	400Pa	62dB(A)	596	596	482	295×260	553×412	92kg
MIA-800FJX	220V	2.50KW	8000m³/h	420Pa	63dB(A)	665	662	557	328×289	604×456	96.5kg
MIA-850FJX	220V	2.60KW	8500m³/h	420Pa	63dB(A)	665	662	557	328×289	604×456	99.2kg
MIA-900FJX	220V	2.80KW	9000m³/h	450Pa	64dB(A)	665	662	557	328×289	604×456	103kg
MIA-950FJX	220V	2.90KW	9500m³/h	480Pa	65dB(A)	665	662	557	328×289	604×456	107kg
MIA-1000FJX	380V	3.00KW	10000m³/h	500Pa	65dB(A)	1000	1000	910	420×320	-	-
MIA-1300FJX	380V	4.00KW	13000m³/h	540Pa	66dB(A)	1000	1000	910	510×320	-	-
MIA-1500FJX	380V	4.50KW	15000m³/h	600Pa	67dB(A)	1000	1000	910	510×320	-	-
MIA-2000FJX	380V	7.50KW	20000m³/h	700Pa	68dB(A)	1230	2000	1020	1000×630	-	-
MIA-2500FJX	380V	15.00KW	25000m³/h	760Pa	76dB(A)	1900	2200	1213	1000×630	-	-
MIA-3000FJX	380V	16.00KW	30000m³/h	800Pa	80dB(A)	1700	2400	1325	1000×800	-	-
MIA-4000FJX	380V	18.50KW	40000m³/h	860Pa	86dB(A)	2100	2700	1472	1200×1000	-	-
MIA-5000FJX	380V	22.00KW	50000m³/h	900Pa	92dB(A)	2400	2700	1614	1400×1000	-	-

High Wind Pressure Booster Fan Ventilation System

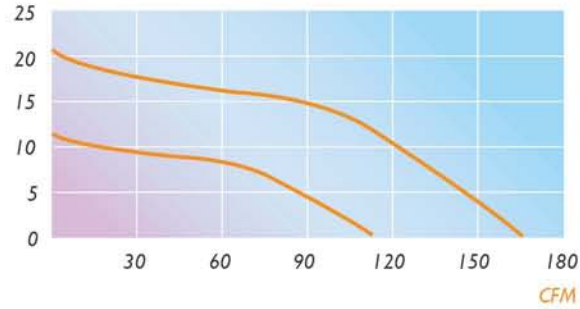
MIA WS-01 / MIA W-01 (280m³/h~850m³/h)

Silent Mixed Flow Inline Duct Fan Ventilation System Series

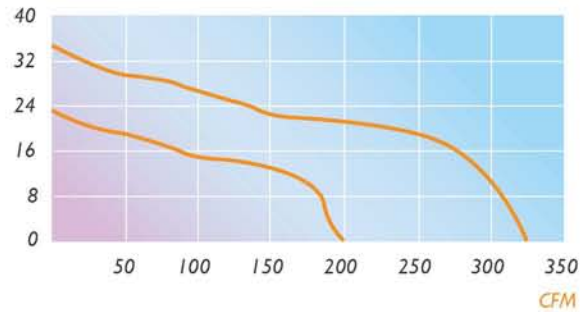


Performance curves

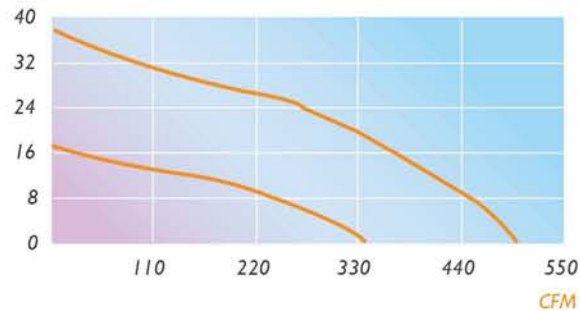
mmAq MIA-W100S-01



mmAq MIA-W150S-01



mmAq MIA-W200S-01



Six Innovative Technologies

High speed external rotor motor: Japan NMB bearings, life more than 87648 hours. Operating ambient temperature range: -20°C – 60°C

Pressurized fluid power blades: Optimal airflow air pressure, high efficiency, low energy consumption, low noise.

Efficient silencer holes low noise: Built-in quiet silencer cotton, silencer hole, effective silencer damping & noise reduction; can be designed to delay the shutdown, temperature and humidity sensing and other smart features.

Unlimited demolition design: Unique buckle design, easy disassembly, tight seal, easy installation and maintenance.

Protection class IP44: Double-diameter port, seal leak-proof, shock-proof protection; protection class IP44, effective waterproof and dustproof.

Backdraft damper designed inside to prevent insects: Environmentally friendly materials, light & strength, double insulation; built-in backdraft damper, anti-back of wind, anti-insects.

Combination Installation

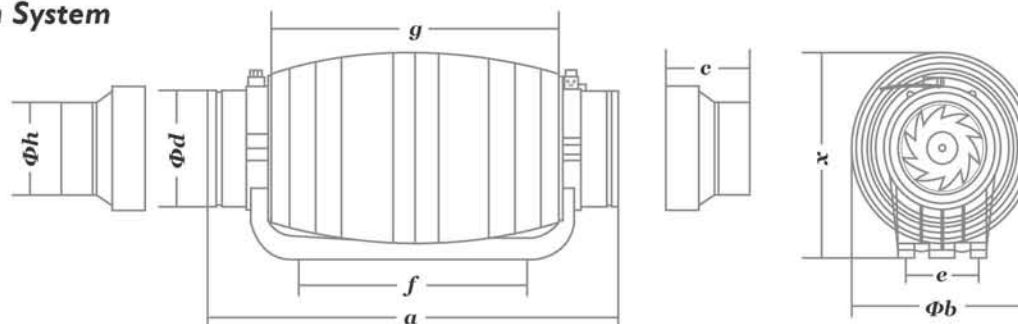
Tandem mounting kit: Installed in series to increase air pressure, which can be accessed longer pipeline.

Parallel installation kit: Parallel installation to increase the wind pressure, can reduce the host height required space.

Silent Mixed Flow Inline Duct Fan Ventilation System

MIA WS-01

Performance Parameters & Dimensions



Model	a(mm)	Φb (mm)	Φd (mm)	e(mm)	f(mm)	g(mm)	x(mm)	c(mm)	Φh (mm)	External Dimensions
MIA-W100S-01	460.0	$\Phi 204.5$	$\Phi 123.5$	81.5	248.5	333.0	222.0	93.5	$\Phi 98.5$	
MIA-W150S-01	485.0	$\Phi 223.0$	$\Phi 148.5$	94.0	251.0	355.0	246.5	-	-	
MIA-W200S-01	570.0	$\Phi 265.0$	$\Phi 198.0$	127.0	340.0	440.0	297.0	-	-	

Speed	Voltage	Current	Power	Speed	Volume	Pressure	Noise	Weight	MIA-W100S-01
High	230V/50Hz	0.13A	30W	2450(r/min)	280m ³ /h	205Pa	25dB(A)	3.3kg	
Low	230V/50Hz	0.12A	25W	1650(r/min)	188m ³ /h	93Pa	22dB(A)	3.3kg	

Speed	Voltage	Current	Power	Speed	Volume	Pressure	Noise	Weight	MIA-W150S-01
High	230V/50Hz	0.28A	51W	2600(r/min)	550m ³ /h	340Pa	30dB(A)	4.0kg	
Low	230V/50Hz	0.19A	42W	1650(r/min)	340m ³ /h	230Pa	25dB(A)	4.0kg	

Speed	Voltage	Current	Power	Speed	Volume	Pressure	Noise	Weight	MIA-W200S-01
High	230V/50Hz	0.59A	131W	2450(r/min)	850m ³ /h	370Pa	35dB(A)	7.0kg	
Low	230V/50Hz	0.44A	101W	1650(r/min)	572m ³ /h	167Pa	29dB(A)	7.0kg	

High Wind Pressure Booster Fan Ventilation System

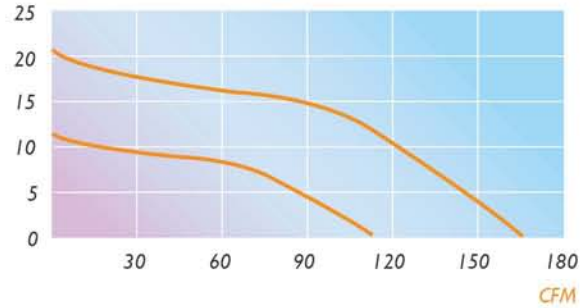
MIA WS-01 / MIA W-01 (280m³/h~850m³/h)

Mixed Flow Inline Duct Fan Ventilation System Series

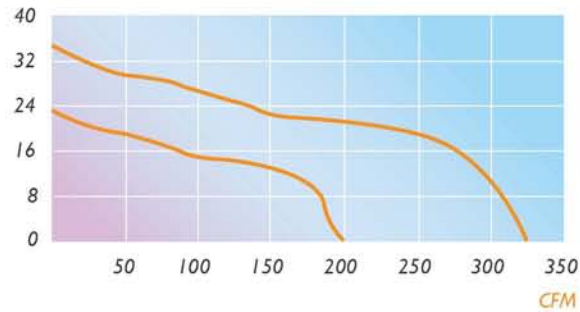


Performance curves

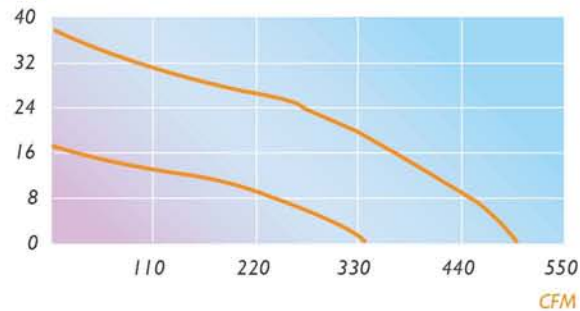
mmAq MIA-W100-01



mmAq MIA-W150-01



mmAq MIA-W200-01



Six Innovative Technologies

High speed external rotor motor: Japan NMB bearings, life more than 87648 hours. Operating ambient temperature range: -20°C – 60°C

Pressurized fluid power blades: Optimal airflow air pressure, high efficiency, low energy consumption, low noise.

Enhanced base design: The installation base is designed according to the structure and safety requirements of the fan. The design is safe and the installation is more simple.

Unlimited demolition design: Unique buckle design, easy disassembly, tight seal, easy installation and maintenance.

Protection class IP44: Double-diameter port, seal leak-proof, shock-proof protection; protection class IP44, effective waterproof and dustproof.

Super flame retardant case: Improve the safety factor, more environmentally friendly and safer.

Combination Installation

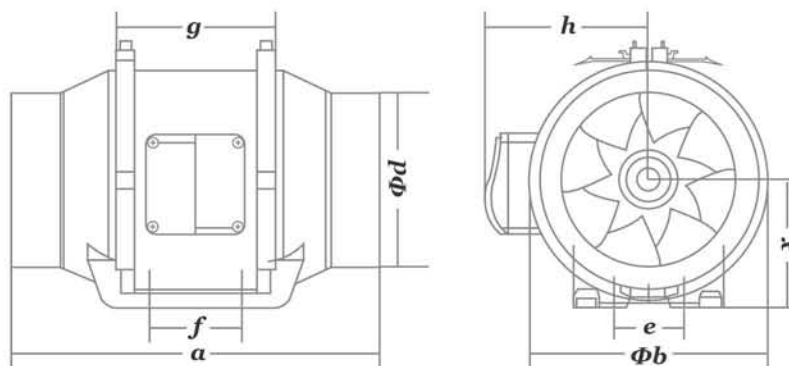
Tandem mounting kit: Installed in series to increase air pressure, which can be accessed longer pipeline.

Parallel installation kit: Parallel installation to increase the wind pressure, can reduce the host height required space.

Mixed Flow Inline Duct Fan Ventilation System

MIA W-01

Performance Parameters & Dimensions



Model	a(mm)	Φb (mm)	Φd (mm)	e(mm)	f(mm)	g(mm)	x(mm)	h(mm)	External Dimensions
MIA-W100-01	304.0	$\Phi 178.0$	$\Phi 98.0$	60.0	80.0	123.0	101.0	128.5	
MIA-W150-01	313.0	$\Phi 200.0$	$\Phi 149.0$	60.5	74.0	130.0	108.5	138.5	
MIA-W200-01	307.0	$\Phi 220.0$	$\Phi 198.0$	74.0	60.0	165.0	127.5	149.5	

Speed	Voltage	Current	Power	Speed	Volume	Pressure	Noise	Weight	MIA-W100-01
High	230V/50Hz	0.13A	30W	2450(r/min)	280m ³ /h	205Pa	31dB(A)	1.7kg	
Low	230V/50Hz	0.12A	25W	1650(r/min)	188m ³ /h	93Pa	26dB(A)	1.7kg	

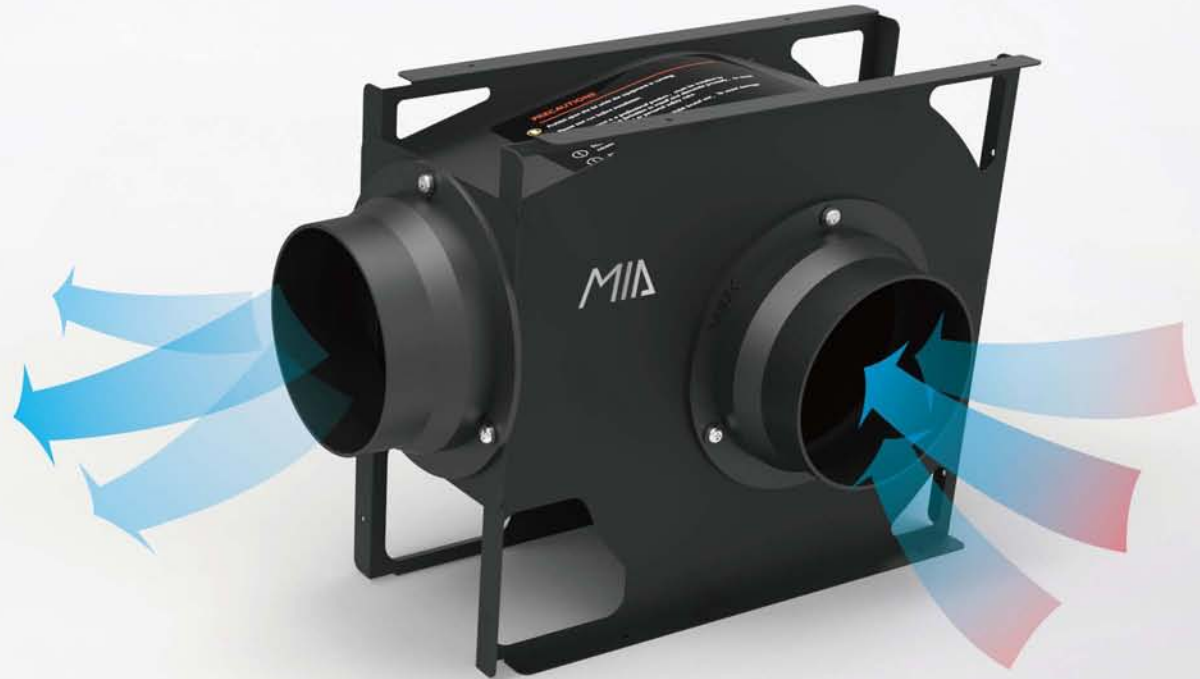
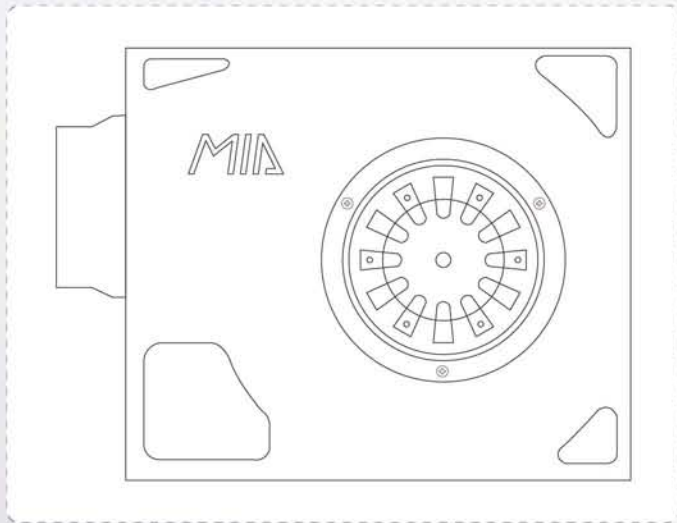
Speed	Voltage	Current	Power	Speed	Volume	Pressure	Noise	Weight	MIA-W150-01
High	230V/50Hz	0.28A	51W	2600(r/min)	550m ³ /h	340Pa	33dB(A)	2.5kg	
Low	230V/50Hz	0.19A	42W	1650(r/min)	340m ³ /h	230Pa	29dB(A)	2.5kg	

Speed	Voltage	Current	Power	Speed	Volume	Pressure	Noise	Weight	MIA-W200-01
High	230V/50Hz	0.59A	131W	2450(r/min)	850m ³ /h	370Pa	63dB(A)	4.1kg	
Low	230V/50Hz	0.44A	101W	1650(r/min)	572m ³ /h	167Pa	55dB(A)	4.1kg	

Silent Duct Fans Ventilation System

MIA SFJ/MINI (100m³/h~370m³/h)

Mini Duct Blower Seires

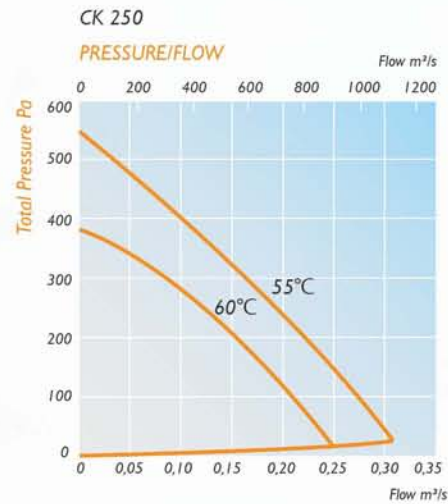
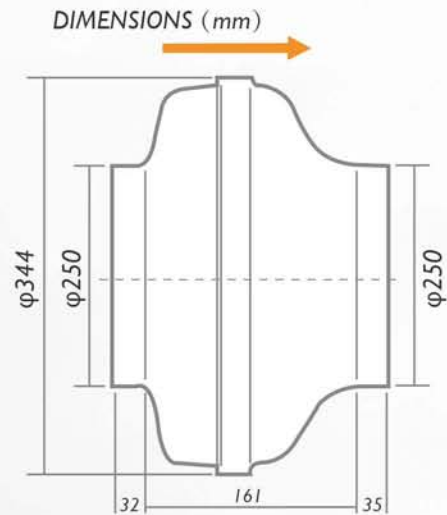


Technical Parameters

Model	Voltage	Power	Volume	Pressure	Noise	Φd(mm)	Weight
MIA-100SFJ/MINI	220V	16W	100m ³ /h	95Pa	24dB(A)	100	2.4kg
MIA-180SFJ/MINI	220V	18W	180m ³ /h	115Pa	26dB(A)	100	2.5kg
MIA-300SFJ/MINI	220V	36W	300m ³ /h	160Pa	32dB(A)	150	3.8kg
MIA-370SFJ/MINI	220V	42W	370m ³ /h	165Pa	32dB(A)	150	3.9kg

Round Pipe Fan Ventilation System

CK (260m³/h~1400m³/h)



TECHNICAL DATA	
CK	250
Voltage, V/Hz	230/50
Current, A	0,50
Input, W	115
Speed, rpm	2580
Weight, kg	4.6
Wiring diagram	4040001
Capacitor, μF	4
Insulation class, motor	F
Motor protection	IP 44

ACCESSORIES
Duct clamp, mounting bracket, safety grille, thermostat, louvre & back draught shutter, transformer controllers

SOUND DATA												
CK 250, 135 l/s 250 Pa	L _{pA}	L _{wA}	tot dB(A)	63	125	250	500	1K	2K	4K	8K	
Environment	47	54	26	30	34	47	52	47	44	38		
Inlet	0,50	74	51	60	67	67	69	68	64	55		



Model	Voltage frequency	Current	Power	volume	pressure	noise	Speed	capacitance	INS	IP	Φd (mm)	Weight
CK100	220V/50Hz	0.18A	41W	260m ³ /h	340Pa	36dB(A)	1730rpm	3μF	F	IP44	100mm	2.9kg
CK125	220V/50Hz	0.18A	40W	350m ³ /h	300	36dB(A)	1640rpm	3μF	F	IP44	125mm	2.9kg
CK150	220V/50Hz	0.27A	62W	500m ³ /h	340	42dB(A)	2540rpm	2μF	F	IP44	150mm	3.2kg
CK160	220V/50Hz	0.27A	62W	500m ³ /h	340	42dB(A)	2540rpm	2μF	F	IP44	160mm	3.2kg
CK200	220V/50Hz	0.51A	115W	900m ³ /h	340	47dB(A)	2580rpm	4μF	F	IP44	200mm	4.6kg
CK250	220V/50Hz	0.50A	115W	900m ³ /h	380	47dB(A)	2580rpm	4μF	F	IP44	250mm	4.6kg
CK315	220V/50Hz	0.84A	190W	1400m ³ /h	580	47dB(A)	2465rpm	5μF	F	IP44	315mm	6.1kg

Ceiling Ventilating Fan MF RC · GI / MF RC · DI

Exhaust Fan Series



standard controller



Three-speed control, any optional intelligent controller.



Applicable Scene

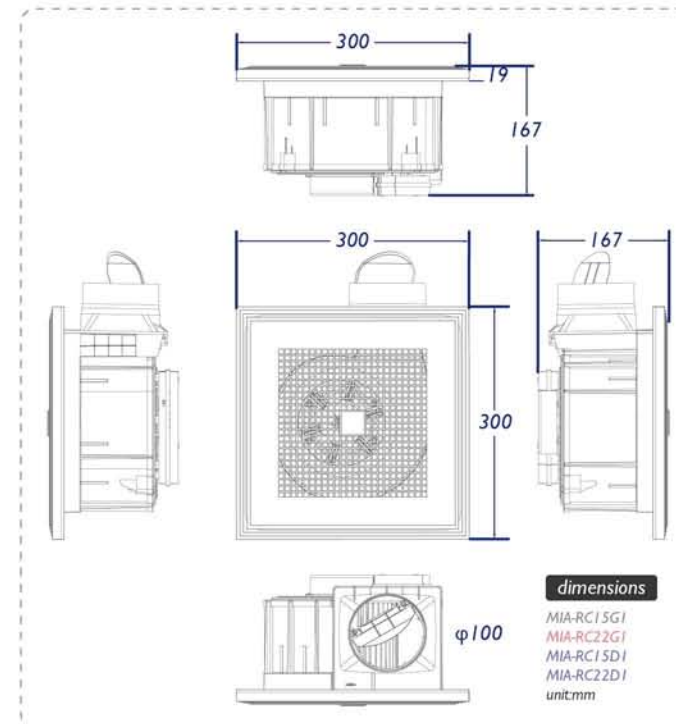


Technical Parameters

Model	Voltage	Power	Volume	Pressure	Noise
MF-RC15G1	220V~240V	16W	150m ³ /h	115Pa	29~32dB(A)
MF-RC22G1	220V~240V	24W	220m ³ /h	120Pa	33~35dB(A)
MF-RC15D1	220V~240V	16W	150m ³ /h	115Pa	29~32dB(A)
MF-RC22D1	220V~240V	24W	220m ³ /h	120Pa	33~35dB(A)

External Dimensions

Panel size	Φd(mm)	Weight
300×300mm	100	2.2kg
300×300mm	100	2.2kg
300×300mm	100	2.2kg
300×300mm	100	2.2kg



Cabinet Type ERV Ventilation System (AC outer rotor fan / DC brushless fan)

MIA CGLB / MIA CGLB/C

High Pressure Purification Cabinet Type ERV Ventilation System Series



high speed
external rotor
motor



Optional

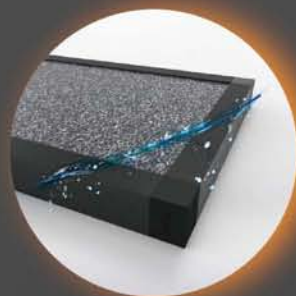
high-voltage
electrostatic
dust



PSY energy
recovery
exchanger





HEPA(H13)



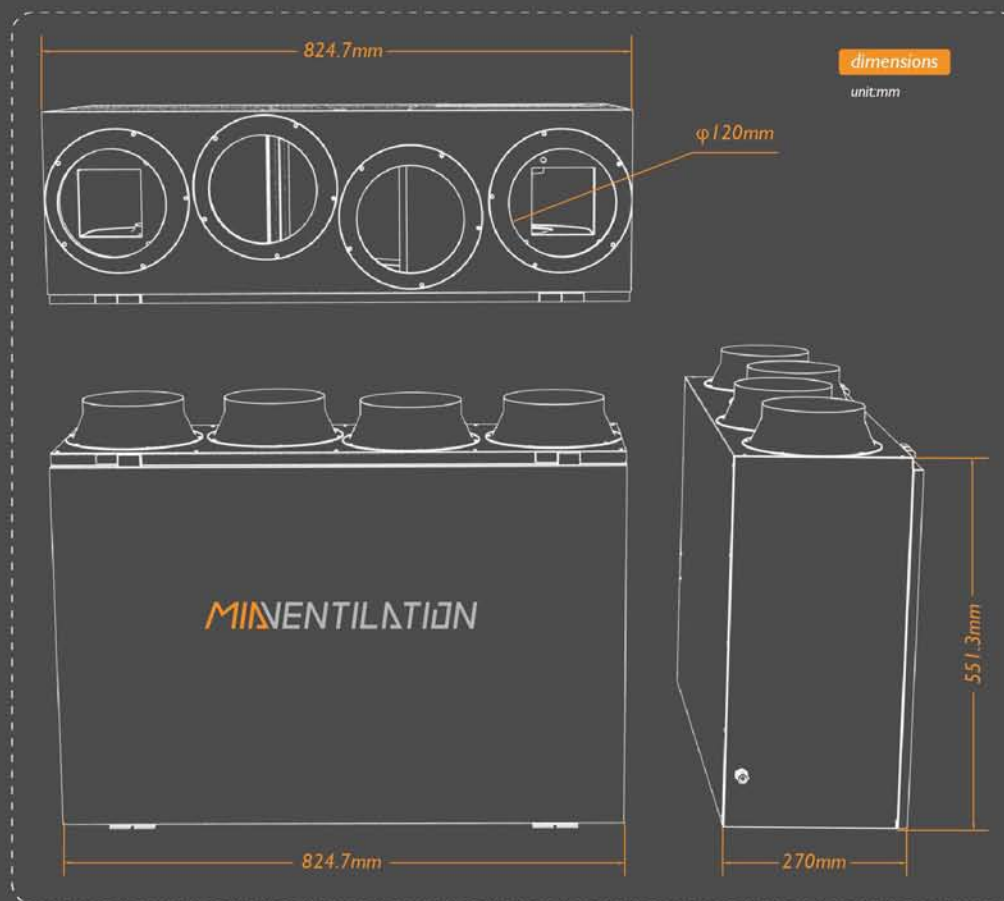
early effect +
activated
carbon



name	model	filter
multiple filtered cabinet type ERV	MIA-AHE · CGLB MIA-AHE · CGLB/C	
high-voltage electrostatic dust cabinet type ERV	MIA-AHE · CGJDB MIA-AHE · CGJDB/C	

Technical Parameters

AC outer rotor fan	MIA-AHE25CGJDB	MIA-AHE35CGJDB	MIA-AHE50CGJDB
	MIA-AHE25CGLB	MIA-AHE35CGLB	MIA-AHE50CGLB
DC brushless fan	MIA-AHE25CGJDB/C	MIA-AHE35CGJDB/C	MIA-AHE50CGJDB/C
	MIA-AHE25CGLB/C	MIA-AHE35CGLB/C	MIA-AHE50CGLB/C
Voltage	220V	220V	220V
Power	173W	230W	368W
Volume	250m ³ /h	350m ³ /h	500m ³ /h
Pressure	280Pa	325Pa	365Pa
Efficiency	85%~88%	85%~87.5%	84%~87%
Noise	31~32dB(A)	31~33dB(A)	32~36dB(A)



PTC Electric Heating Tank

MIA PTC

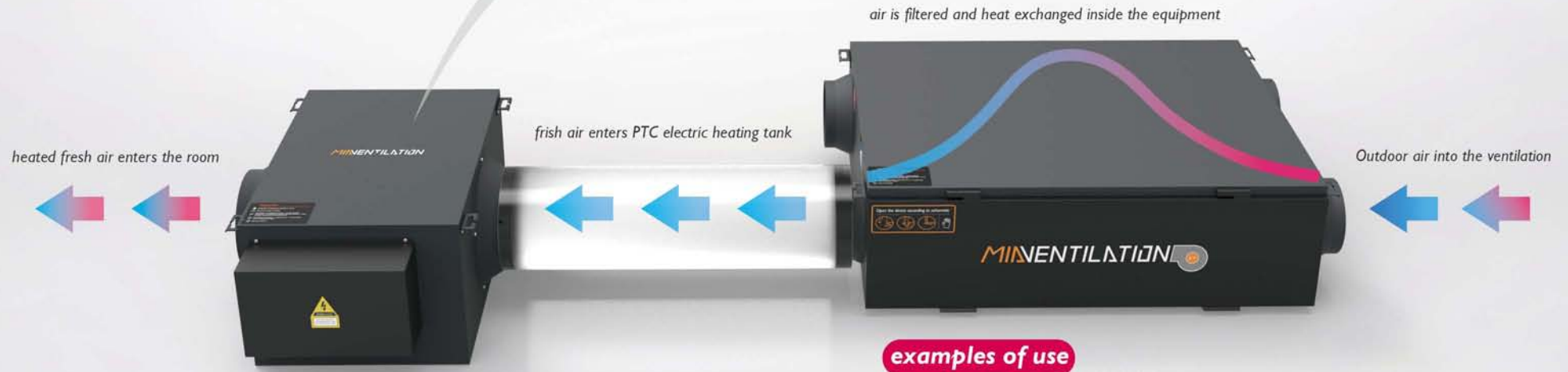
Matching Ventilation System PTC Electric Heating Tank

Model	Voltage	Size	Φd1
MIA-PTC100	220V	350×303×165	100mm
MIA-PTC150	220V	350×320×223	150mm
MIA-PTC200	220V	350×364×270	200mm



PTC electric heating tank

fireproof metal tank
select power according to your needs
optional intelligent controller



Air Purification Tank

MIA HEPA / MIA JDHEPA

Matching Ventilation System Air Purification Tank

name	model	filter
air purification tank	MIA-HEPA	
high-voltage electrostatic dust air purification tank	MIA-JDHEPA	

Model	Voltage	Size	Φd1 (mm)
MIA-100HEPA	-	350×303×165mm	100
MIA-100JDHEPA	220V	350×303×165mm	100
MIA-150HEPA	-	350×320×223mm	150
MIA-150JDHEPA	220V	350×320×223mm	150
MIA-200HEPA	-	350×364×270mm	200
MIA-200JDHEPA	220V	350×364×270mm	200



early effect +
activated
carbon



HEPA(H13)



Optional
high-voltage
electrostatic
dust



Air Purifier

Intelligent Purification And Sterilization Air Purifier Series





miaventilation

Air Purifier

model: **MIA-K15B**
voltage: **220V**
power: **85W**
CADR: **800m³/h**
CADR: **300m³/h**
noise: **66dB(A)**
application area: **56~96m²**
size: **400×400×670mm**
weight: **14kg**



- anion purification
- aluminum washable primary filter
- HEPA high efficiency filter , efficiency $\geq 99\%$
- light sense , child lock function



Air Purifier

model: **MIA-K09A**

voltage: **220V**

power: **90W**

CADR: **600m³/h**

CADR: **200~390m³/h**

noise: **67dB(A)**





application area: **42~72m²**

size: **480×270×710mm**

weight: **10.6kg**

miaventilation



-  **anion** purification
-  aluminum washable primary filter
-  HEPA high efficiency filter , efficiency $\geq 99\%$
-  light sense , child lock function



miaventilation

Air Purifier

model: **MIA-A3A**

voltage: **220V**

power: **40W**

CADR: **200m³/h**




CADR: **60m³/h**

noise: **58dB(A)**

application area: **8~26m²**

size: **325×172×510mm**



-  washable primary filter + activated carbon filter
-  HEPA high efficiency filter , efficiency $\geq 99\%$
-  light sense , child lock function

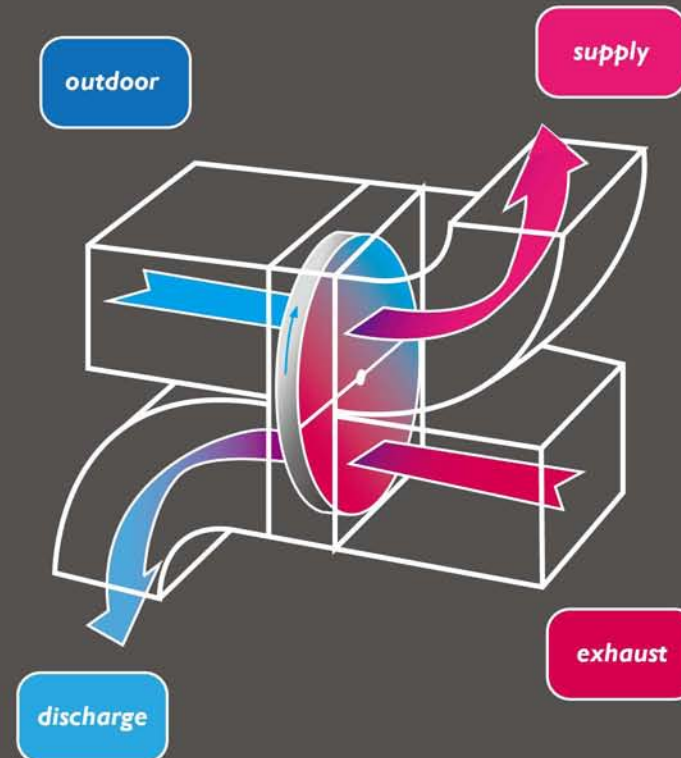
Type Heat Recovery Fresh Air Handling Unit MIA THR

Type Heat Recovery Purification Handling Unit Series

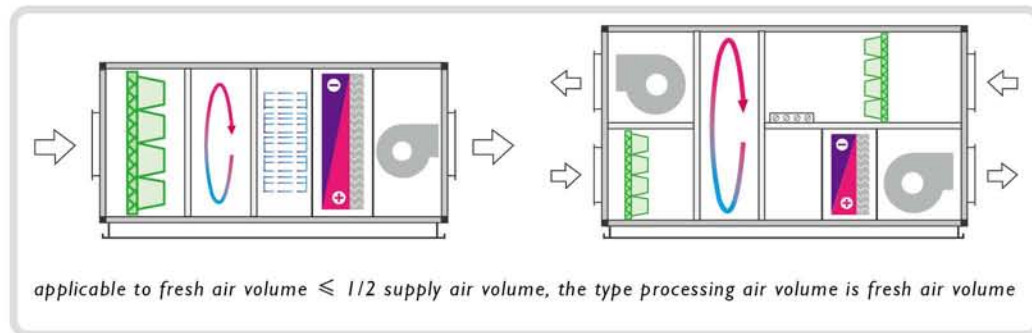
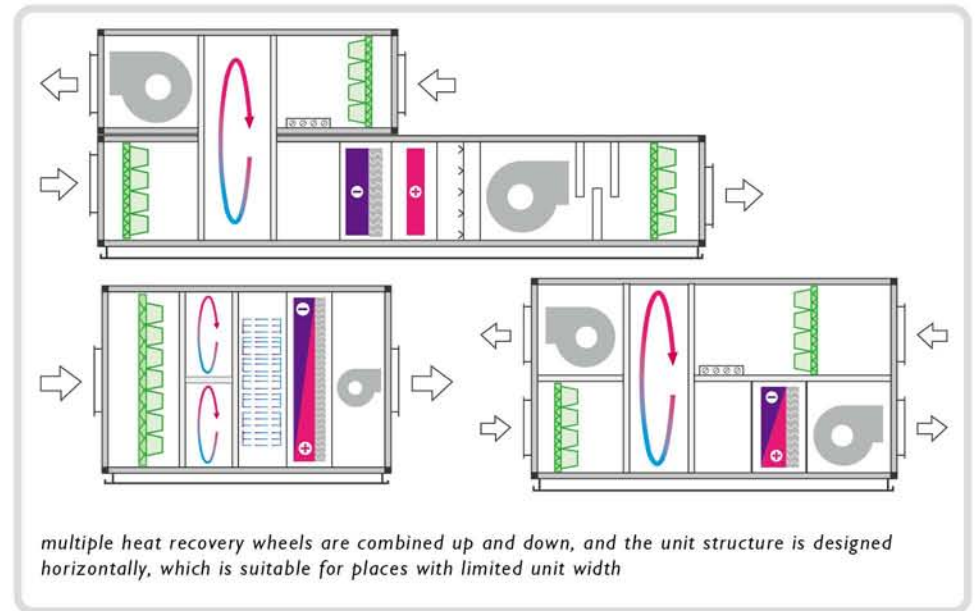
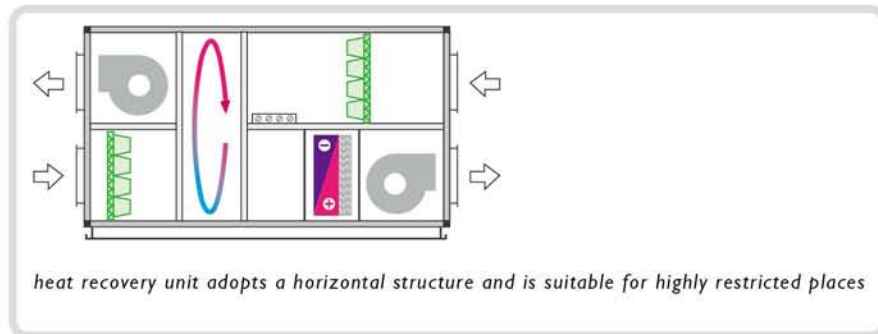
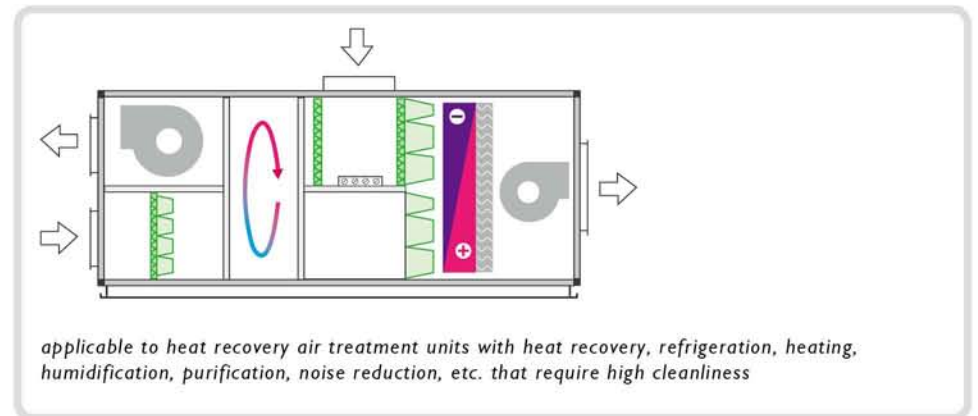
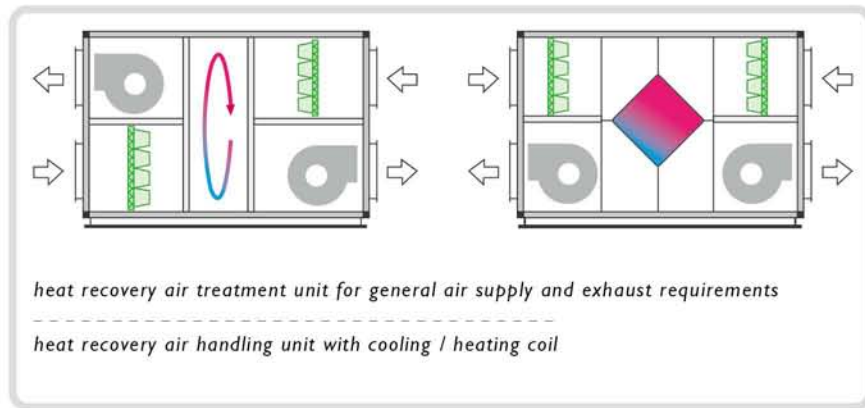


Type Heat Recovery

Type Heat Recovery consists of honeycomb regenerative wheel, body case, the motive driving organization, and sealing element. The hot exhaust and cold new wind, respectively pass through the semicircle of the regenerative wheel. With continual rotating, it can deliver the heat and moisture in exhaust to the fresh wind. The energy recovery rate is highly to 70%~90%.



Unit Structure Diagram



Air Ventilation System Controller



three speed control



three speed control
+ temperature display
+ time setting



three speed control
+ temperature and humidity display
+ time display
+ time setting
+ PM2.5 display
+ CO2 display
+ APP control



three speed control
+ temperature and humidity display
+ time display
+ time setting
+ PM2.5 display
+ CO2 display
+ APP control



three speed control
+ 4.3 inch LCD screen
+ temperature display
+ time setting
+ PM2.5 display
+ APP control
+ RS485 communication interface



three speed control
+ temperature display
+ time setting
+ PM2.5 display
+ CO2 display
+ APP control



three speed control
+ temperature and humidity display
+ time setting
+ PM2.5 display
+ CO2 display
+ APP control



three speed control
+ temperature and humidity display
+ time setting
+ PM2.5 display
+ APP control



three speed control
+ temperature and humidity display
+ time setting

Assistant Material Fittings



indoor adjustable tuyere

80mm
100mm
125mm
150mm
200mm



outdoor stainless steel shield

80mm
100mm
150mm
200mm



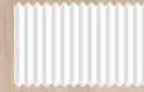
different-diameter pipe size head

110-75mm
160-110mm
200-160mm



inlet air device (wall type) with "activated carbon"

110mm



PVC composite hose

80mm
100mm
150mm
165mm
200mm
250mm



lintel

75mm
110mm
160mm



branch device



ground air-supplying flat tube

135×2000×32mm



directly ground air-supplying flat tube



ground air-supplying 45° pipeline elbow



ground air-supplying 45° wall-crossing pipeline elbow



ground air-supplying flat tube with three ventilation sides

130×30mm



ground air-supplying 90° pipeline elbow

130×30mm



ground air-supplying 90° wall-crossing pipeline elbow

130×30mm



ground air-supplying accessories



ground air-supplying accessories (one-to-three branch box)



ground air-supplying accessories (one-to-five branch box)



ground air-supplying accessories ground air tuyere



silicon rubber seal, ABS check valve

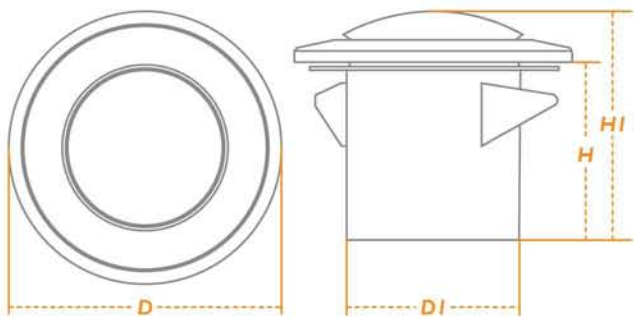
80-120mm
150-180mm



portable outdoor vents

110mm
160mm

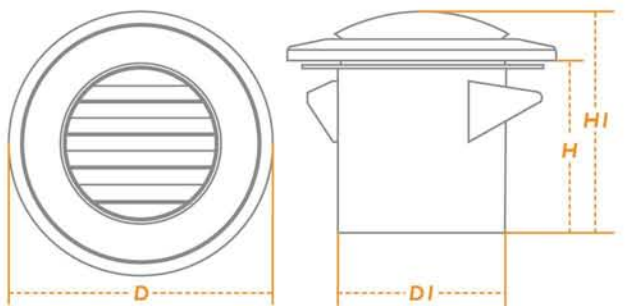
indoor adjustable air outlet
material: ABS



Technical Parameters

model	specification	color	D	D1	H	HI
MIA-KT75	φ 75mm	white	115mm	74mm	97mm	108mm
MIA-KT100	φ 100mm	white	150mm	95mm	92mm	115mm
MIA-KT120	φ 120mm	white	168mm	116mm	98mm	115mm
MIA-KT150	φ 150mm	white	224mm	154mm	76mm	98mm
MIA-KT200	φ 200mm	white	318mm	275mm	94mm	135mm

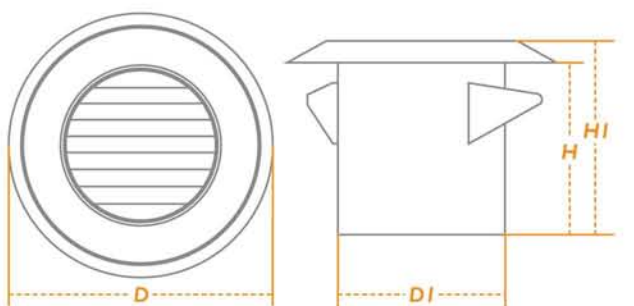
louver indoor air outlet
Material: ABS



Technical Parameters

model	specification	color	D	D1	H	HI
MIA-BY75	φ 75mm	white	113mm	74mm	100mm	106mm
MIA-BY100	φ 100mm	white	144mm	102mm	75mm	85mm
MIA-BY120	φ 120mm	white	168mm	116mm	98mm	105mm
MIA-BY150	φ 150mm	white	200mm	155mm	79mm	86mm

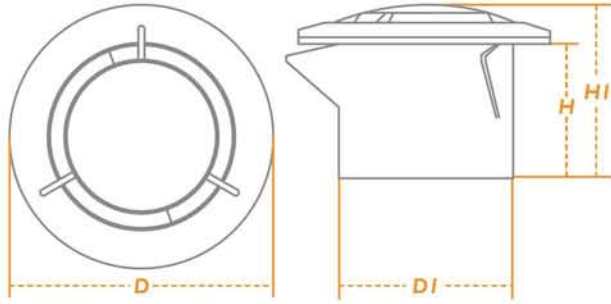
oblique louver indoor air outlet
Material: ABS



Technical Parameters

model	specification	color	D	D1	H	HI
MIA-XBY75	φ 75mm	white	113mm	74mm	100mm	106mm
MIA-XBY100	φ 100mm	white	144mm	102mm	75mm	85mm
MIA-XBY120	φ 120mm	white	168mm	116mm	98mm	105mm
MIA-XBY150	φ 150mm	white	200mm	155mm	79mm	86mm

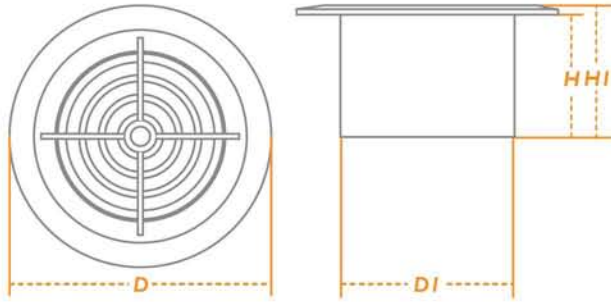
ordinary indoor air outlet
material: ABS



Technical Parameters

model	specification	color	D	DI	H	HI
MIA-PT75	φ 75mm	white	114mm	74mm	98mm	112mm
MIA-PT100	φ 120mm	white	169mm	117mm	94mm	119mm

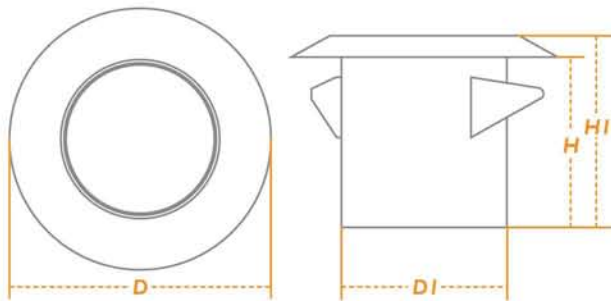
swirl diffusers
Material: ABS



Technical Parameters

model	specification	color	D	DI	H	HI
MIA-XL75	φ 75mm	white	115mm	74mm	98mm	105mm
MIA-XL100	φ 100mm	white	144mm	102mm	75mm	83mm
MIA-XL120	φ 120mm	white	169mm	115mm	100mm	105mm
MIA-XL150	φ 150mm	white	204mm	155mm	78mm	85mm

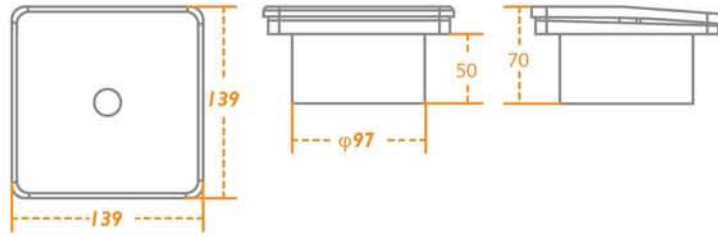
rotatable tuyere
Material: ABS



Technical Parameters

model	specification	color	D	DI	H	HI
MIA-XZ75	φ 75mm	white	115mm	74mm	95mm	110mm
MIA-XZ100	φ 100mm	white	148mm	101mm	75mm	94mm

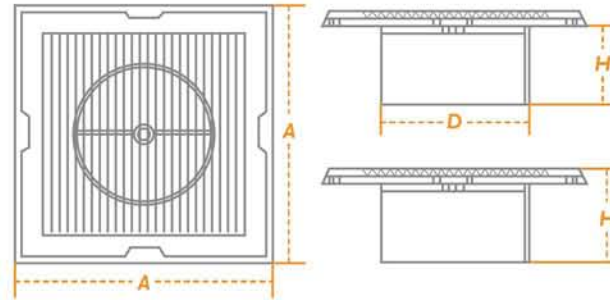
press type indoor air outlet
material: ABS



Technical Parameters

model	specification	color	size
MIA-AY100	φ 100mm	white	139×139mm

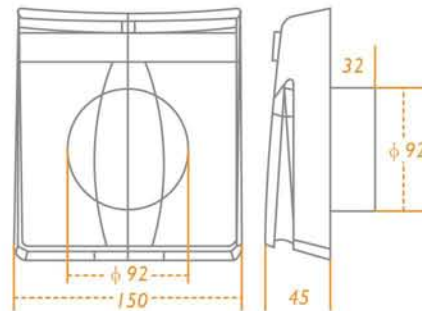
square indoor air outlet
Material: ABS



Technical Parameters

model	specification	color	A	D	H	H1
MIA-FX100A	φ 100mm	white	163mm	100mm	51mm	62mm
MIA-FX100B	φ 100mm	white	184mm	96mm	50mm	66mm
MIA-GX100C	φ 100mm	white	184mm	96mm	50mm	66mm

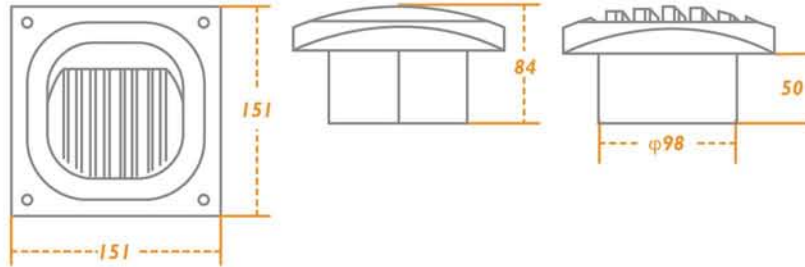
bump-type wall outlet
Material: ABS



Technical Parameters

model	specification	color
MIA-FXT100	φ 100mm	white
MIA-XZ100	φ 100mm	white

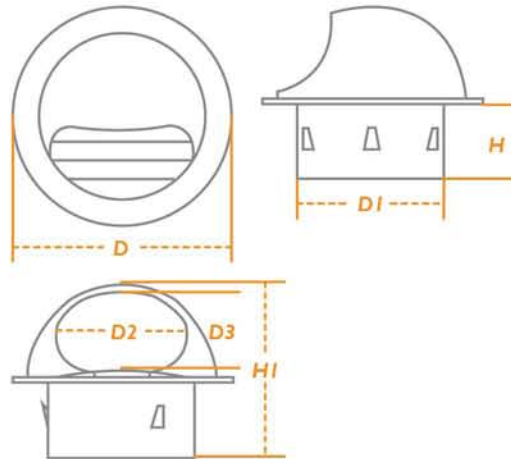
air outlet
material: ABS



Technical Parameters

model	specification	color	size
MIA-NSW100	φ 100mm	white	151×151mm

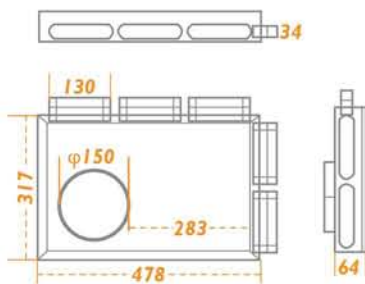
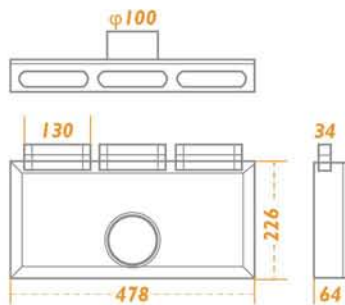
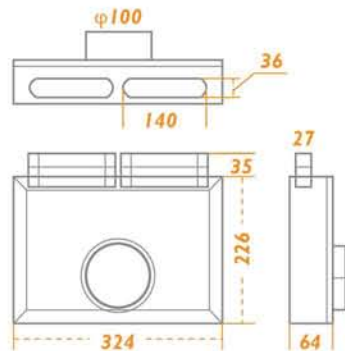
stainless steel rain cover
Material: 304 stainless steel



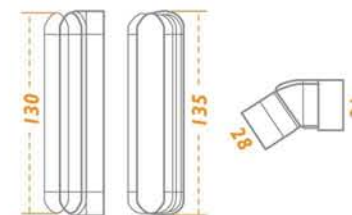
Technical Parameters

model	specification	D	D1	D2	D3	H	H1
MIA-WQK80	φ 80mm	φ121mm	φ78mm	83mm	59mm	35mm	96mm
MIA-WQK100	φ 100mm	φ146mm	φ98mm	88mm	67mm	40mm	110mm
MIA-WQK120	φ 120mm	φ146mm	φ119mm	88mm	67mm	40mm	114mm
MIA-WQK150	φ 150mm	φ205mm	φ146mm	127mm	93mm	45mm	148mm
MIA-WQK200	φ 200mm	φ205mm	φ178mm	127mm	93mm	57mm	164mm
MIA-WQK250	φ 250mm	φ240mm	φ192mm	147mm	113mm	58mm	179mm
MIA-WQK300	φ 300mm	φ325mm	φ252mm	190mm	145mm	58mm	200mm

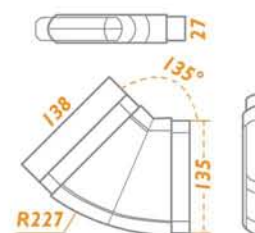
ground air-supply branch box
material: ABS+metal



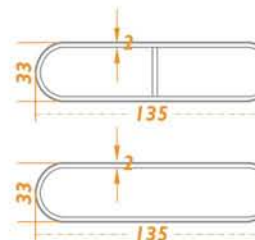
ground air-supply 45° wall-crossing pipeline elbow
material: ABS



ground air-supply 45° pipeline elbow
material: ABS



ground air-supply flat tube
material: ABS



directly ground air-supply flat tube
material: ABS

